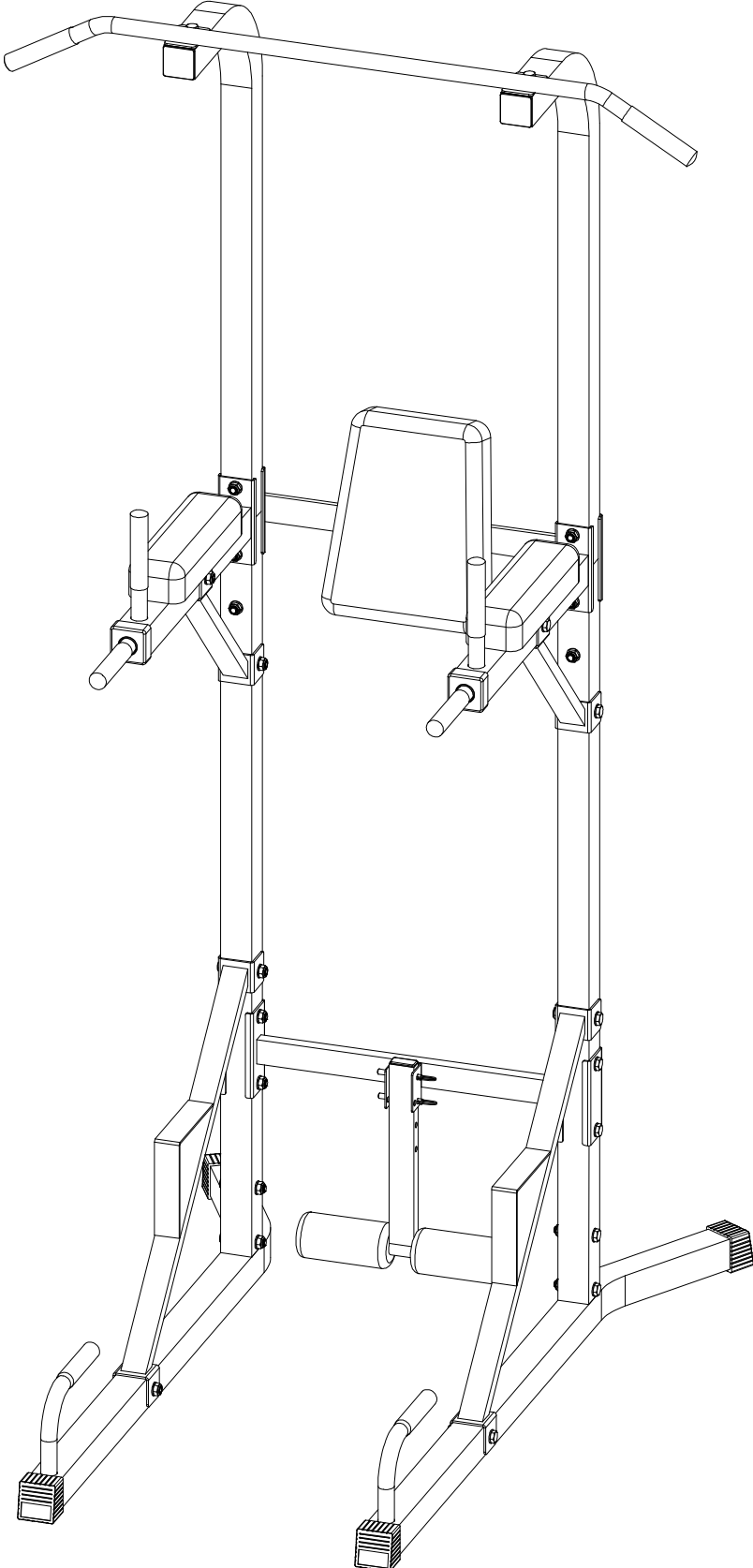


GORILLA SPORTS

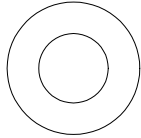
Pull-Up Station (101046)



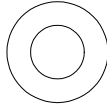


GORILLA SPORTS

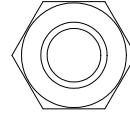
Washer: ($\phi 10$) Washer: ($\phi 8$) Lock Nut: (M10)



50X



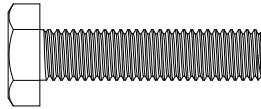
6X



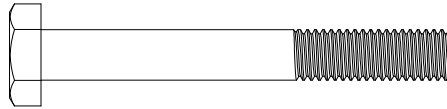
24X

Hex Bolt: (M8*35)

Hex Bolt: (M8*65)



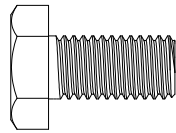
2X



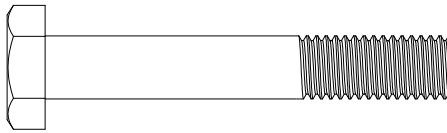
4X

Hex Bolt: (M10*20)

Hex Bolt: (M10*65)

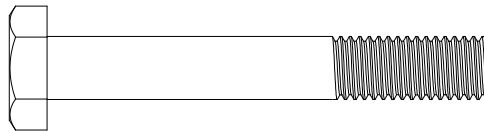


2X



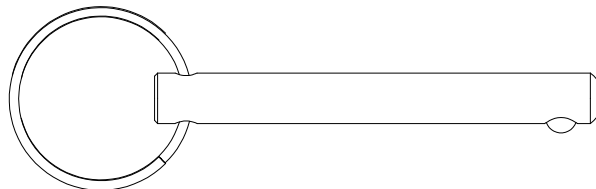
6X

Hex Bolt: (M10*70)



18X

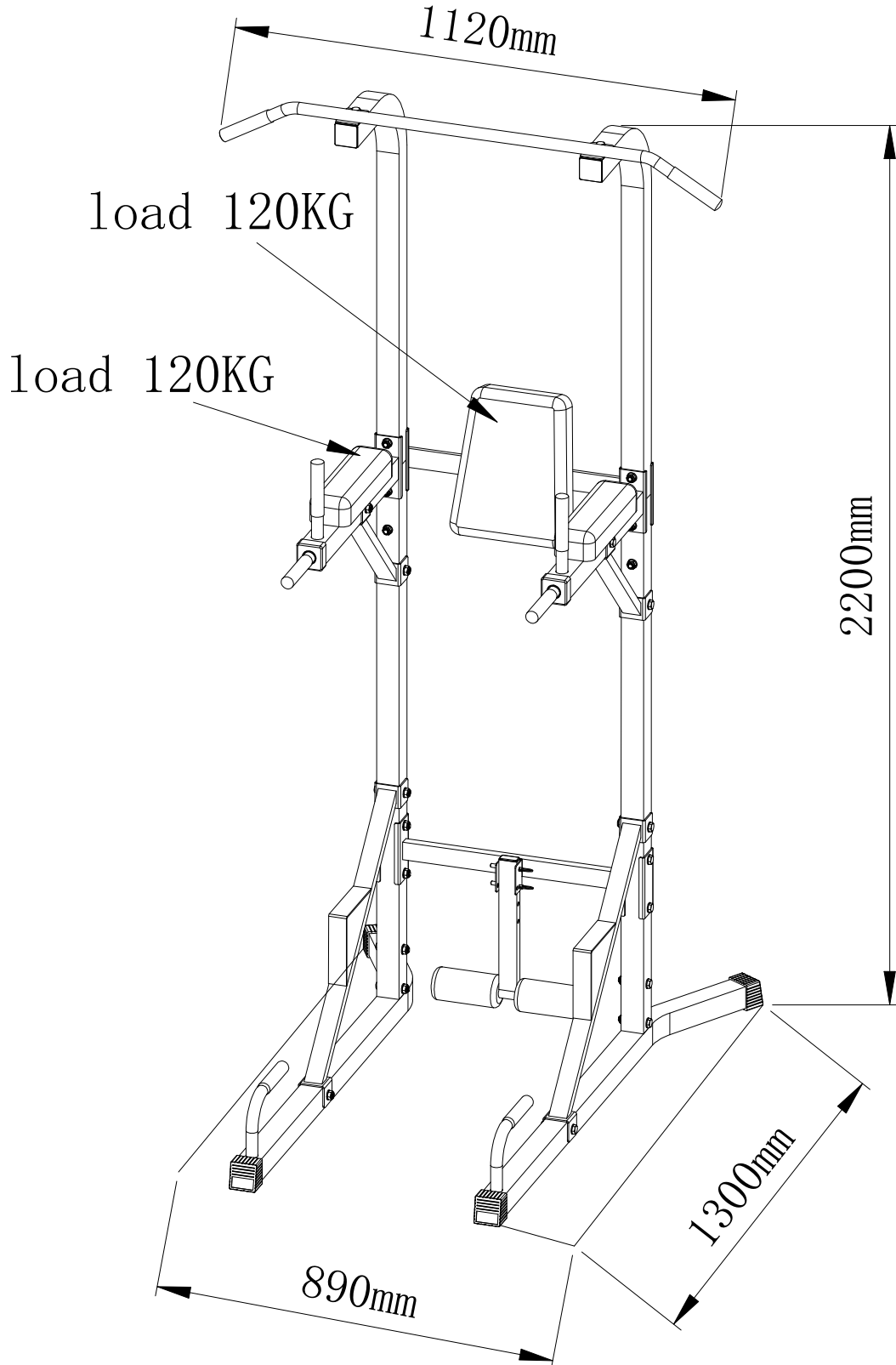
Inside PAN-HEAN Bolt: (8*55)



2X

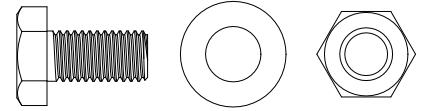
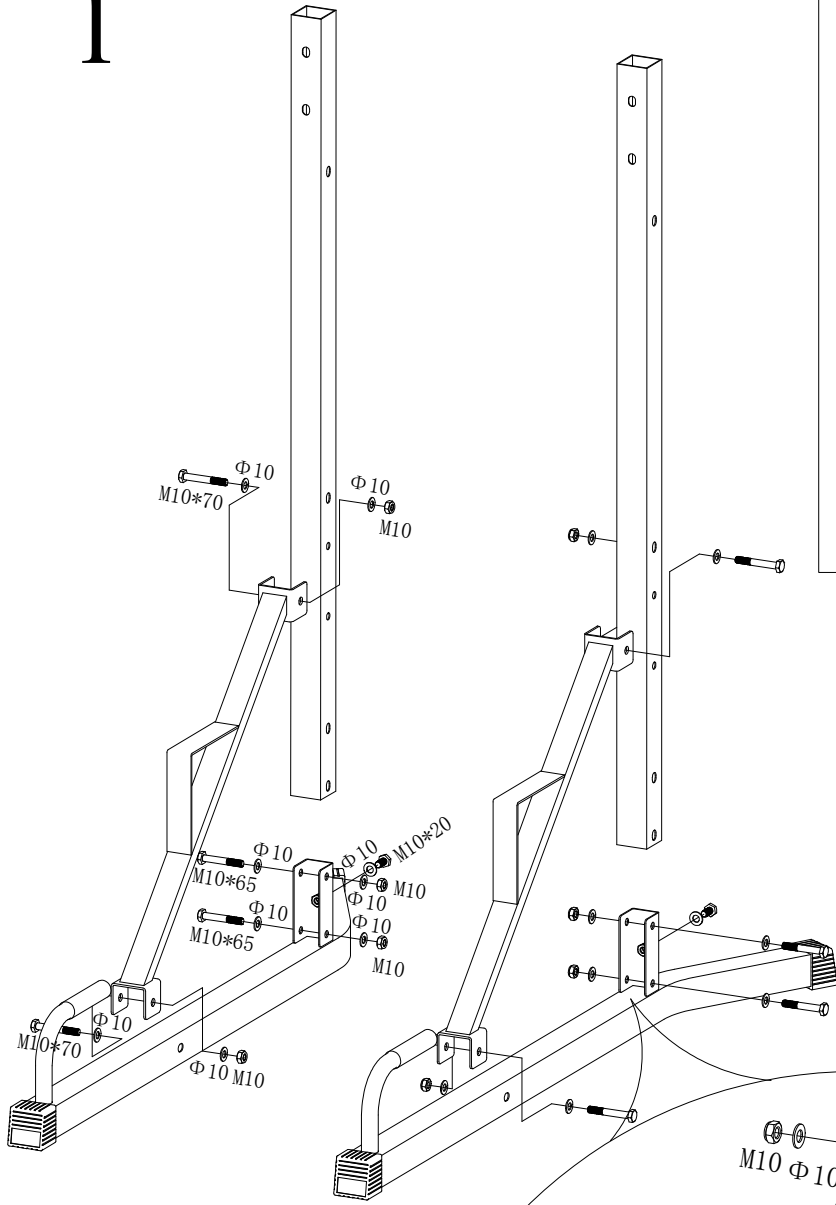


GORILLA SPORTS



Maximum load 120KG

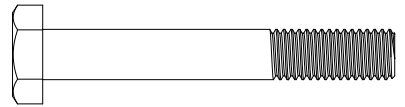
1



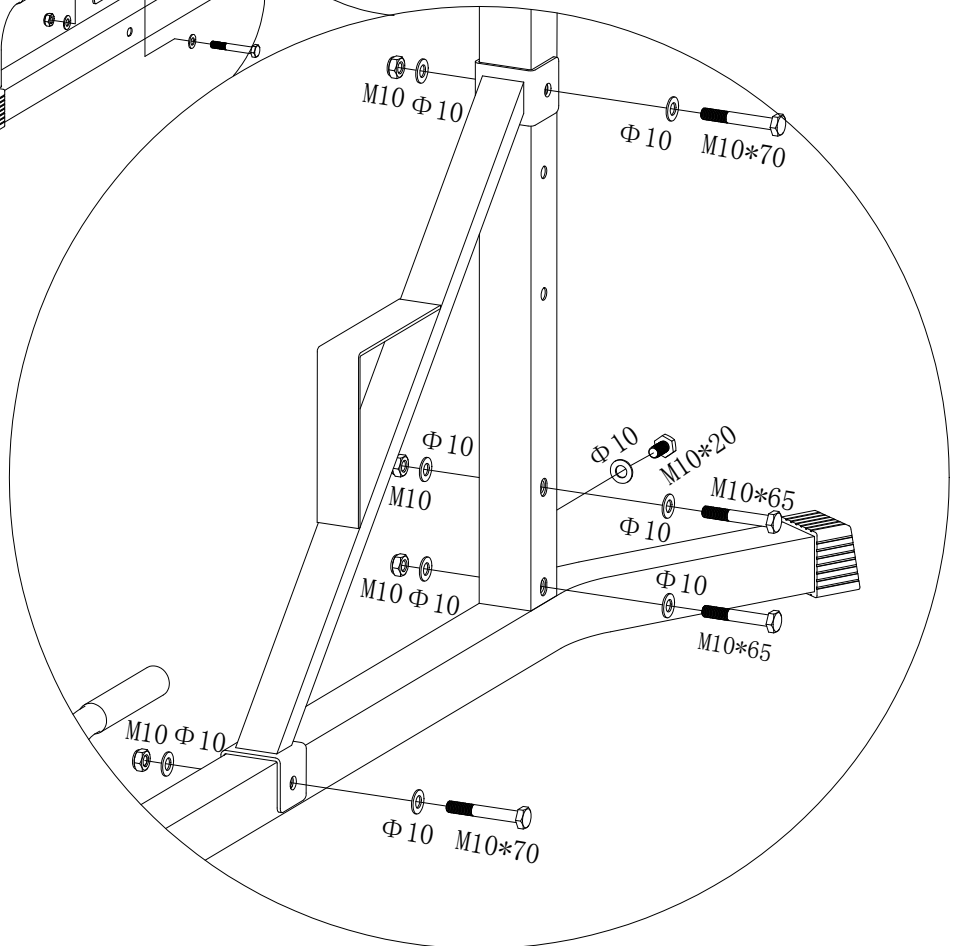
Hex Bolt (M10*20) -2PCS
Washer (Φ10) -18PCS
Lock Nut (M10) -8PCS



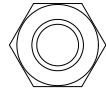
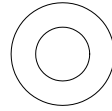
Hex Bolt (M10*65) -4PCS



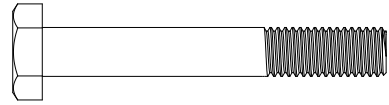
Hex Bolt (M10*70) -4PCS



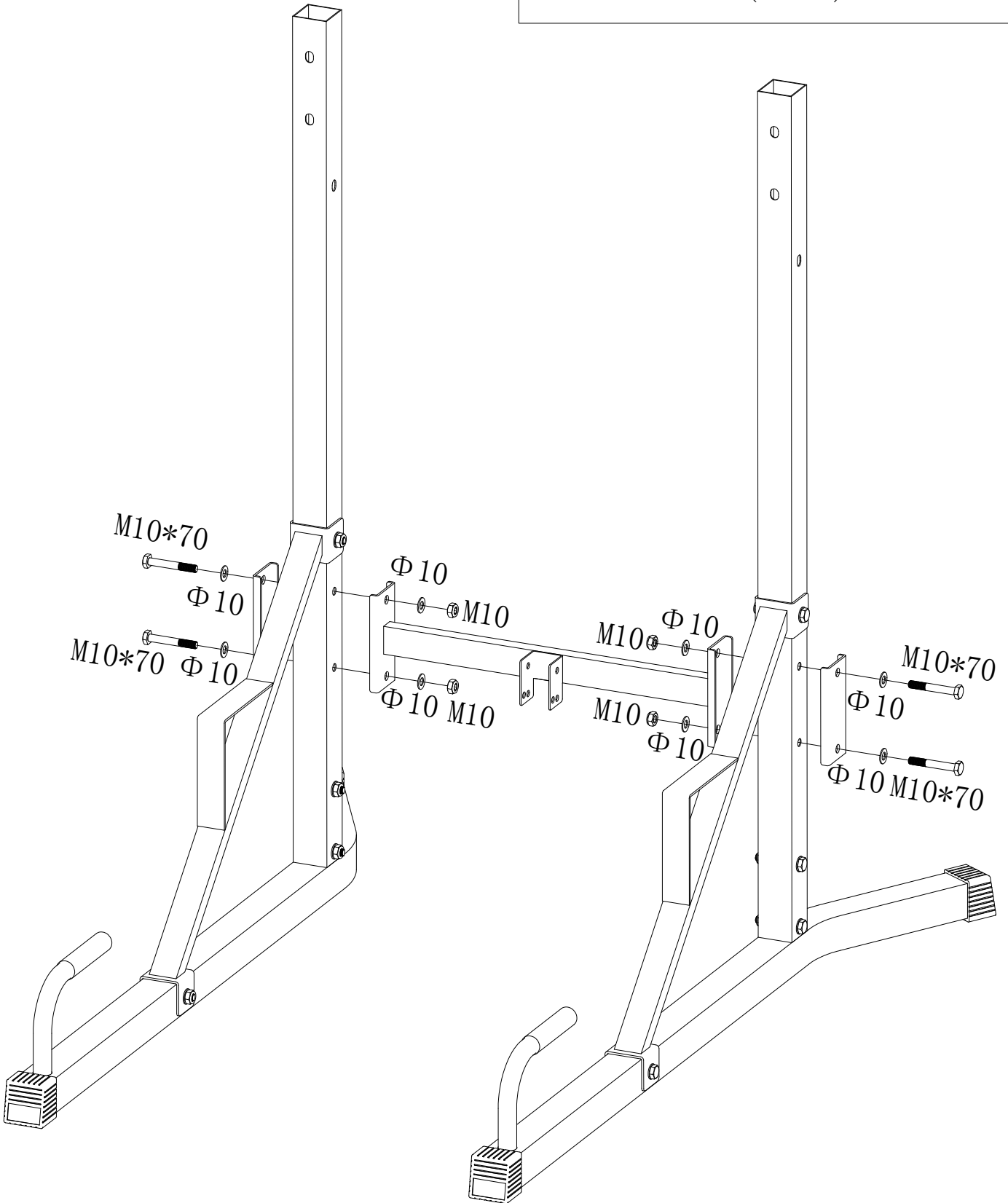
2



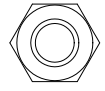
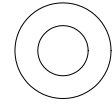
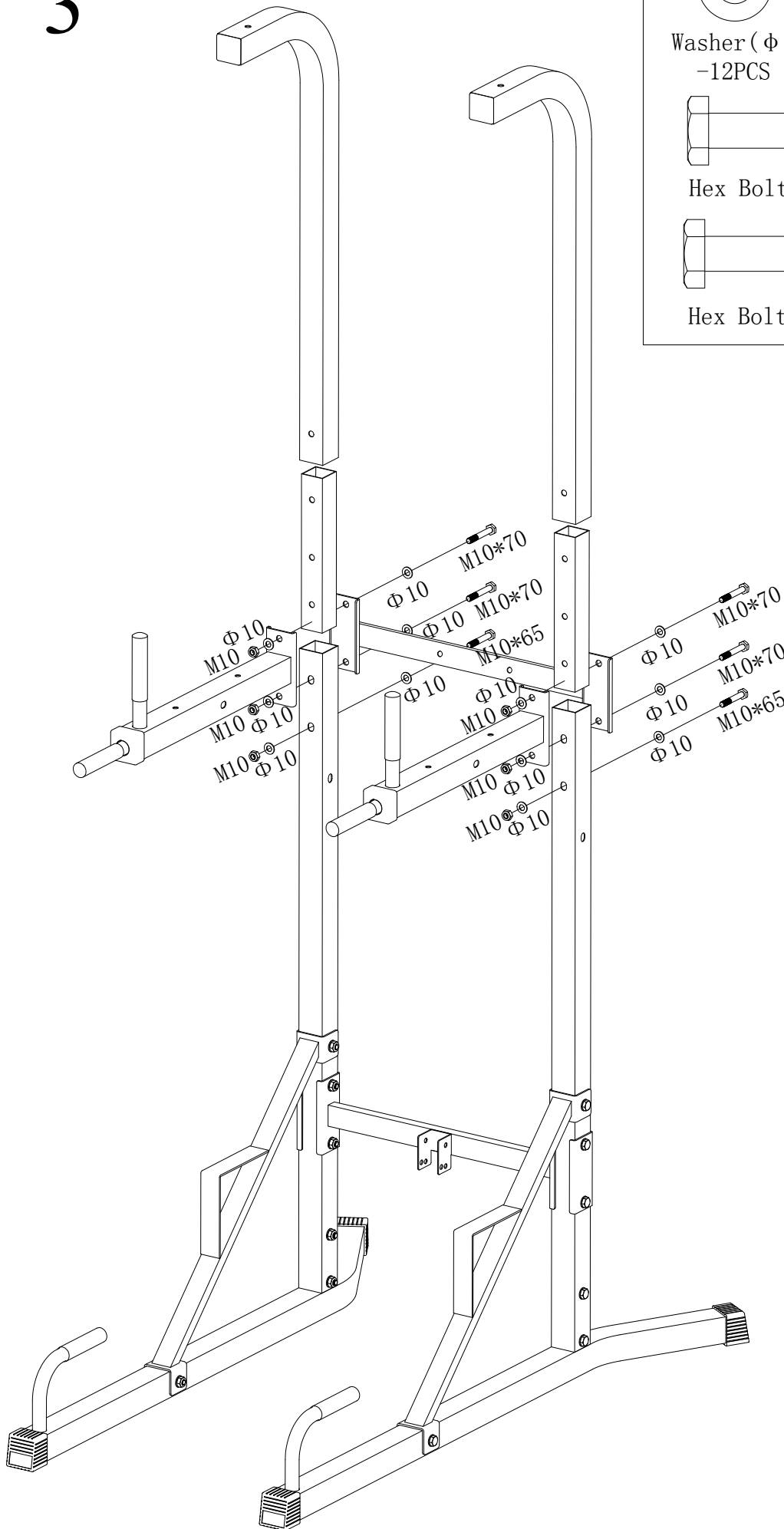
Washer ($\Phi 10$) - 8PCS Lock Nut (M10) - 4PCS



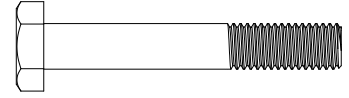
Hex Bolt (M10*70) - 4PCS



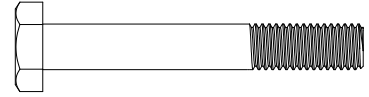
3



Washer ($\Phi 10$) Lock Nut (M10)
-12PCS -6PCS

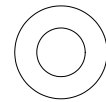
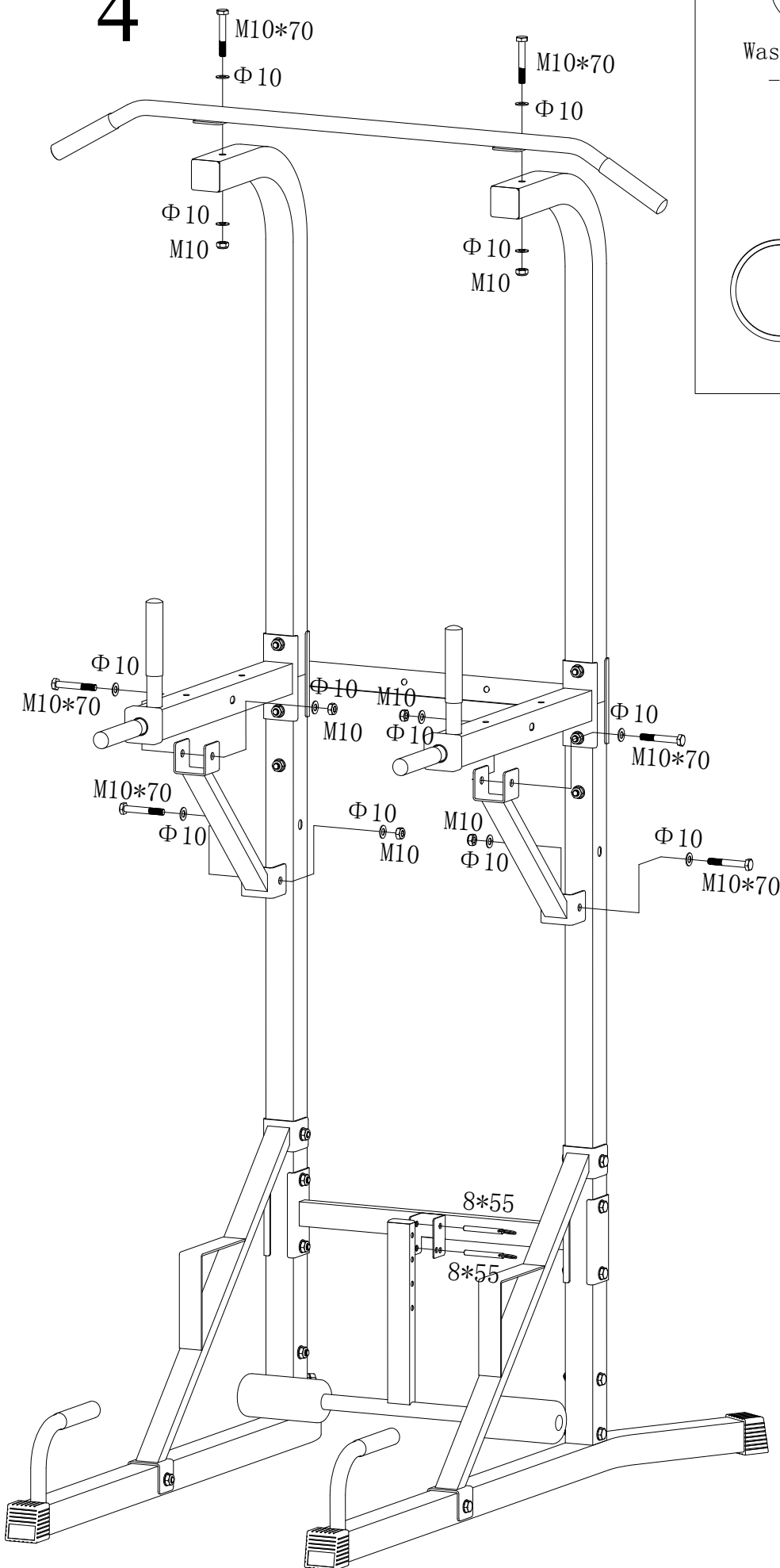


Hex Bolt (M10*65) -2PCS

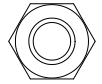


Hex Bolt (M10*70) -4PCS

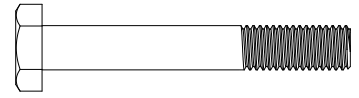
4



Washer ($\Phi 10$)
-12PCS



Lock Nut (M10)
-6PCS



Hex Bolt (M10*70) -6PCS



PAN-HEAN Bolt (8*55)
-2PCS

5

Hex Bolt (M8*35) -2PCS	Washer (φ 8) -6PCS
Hex Bolt (M8*65) -4PCS	

