

MAXXUS[®]

Treadmill
MAXXUS 4.2i



Index	2
Safety Instructions	3
Overview of the Device	4
Assembly Material and Tools	4
Scope of Delivery	4
Assembly	5 – 6
Folding Mechanism	6 – 7
Transport	8
Mains Cable	9
Safety Key	9
What to do in an Emergency	10
Care, Cleaning & Maintenance	11
Lubricating the Treadmill Belt	12
Adjusting the Treadmill Belt	13
Re-Tensioning the Treadmill Belt	13
Cockpit	14 – 20
Heart Rate Measurement	21
Warning about Pulse and Heart Rate Monitoring	22
Pulse Monitoring using Hand Sensors	22
Heart Rate Monitoring using a Chest Belt	22
Training Recommendations	23 – 24
Technical Details	25
Disposal	25
Recommended Accessories	25
Explosion Drawing	26
Parts List	27 – 28
Warranty	29
Repairs Contract / Notification of Damage Claim	30
Notes	31

Please read and observe all sections of this Operating Manual. Thorough attention should be paid to the safety, service and maintenance instructions and adherence to the given training information at all times.

It is very important to adhere strictly to the service and maintenance instructions contained in this Manual.

This training device is only to be used for its intended purpose.

If this equipment is used for any other purposes than intended, there will be a possible risk of accident, damage to health or damage to the training device. The Distributor cannot be held responsible in this case.

Electrical Connection

- A mains voltage of 220-230V is required to operate this training device.
- The training device is only to be connected to the mains with the mains cable supplied using a 16A individually fused and earthed socket installed by a qualified electrician.
- The training device is only to be switched on and off using the ON/OFF switch.
- Always remove the electric plug from the socket before moving the training device.
- Remove the electric plug from the socket before commencing any cleaning, maintenance or other works.
- Do not connect the mains plug to a socket on a socket strip or on a cable drum.
- If using a cable extension please ensure that this complies with VDE guidelines and regulations.
- Always place the mains cable so it cannot be damaged or cause a tripping hazard.
- In operating or standby mode, electrical devices such as mobile phones, PCs, Televisions (LCD, plasma, tube, etc.), game consoles etc. will emit electro-magnetic radiation. For this reason, all these types of devices should be kept away from your training device as they could lead to malfunction, disturbances or false outputs being shown in heart rate measurements.

Training Environment

- Select a suitable space for your training device to provide an optimum amount of free space and highest level of safety. You should leave a free space of at least 200 cm long and 100 cm wide behind the training device. A minimum of 100 cm free space to each side and in front of the training device should be allowed for.
- Make sure that the area is well ventilated and that an optimum amount of oxygen is available during training. Avoid drafts.
- Your training device is not suitable for outside use and so storage and training can only take place in a temperate, dry and clean room.
- Operation and storage of your training device in wet areas such as in swimmingpools, saunas etc. is not possible.
- Make sure that your training device is kept on flat, hard and clean ground both in operation and at stillstand. Any uneven surfaces must be removed or made good.
- It is recommended that a floor covering (carpet, mat, etc.) should be placed under the device to protect damageable floors such as wood, laminates, floor tiles etc. Please ensure that this underlay cannot slip or slide.
- Do not put this training device on pale or white coloured carpets or rugs as the feet of the device may leave marks.
- Make sure that your training device and mains cable are kept out of contact with hot items and are kept at a safe distance from any sources of heat eg. central heating, hot stoves, furnaces, ovens or open fires.

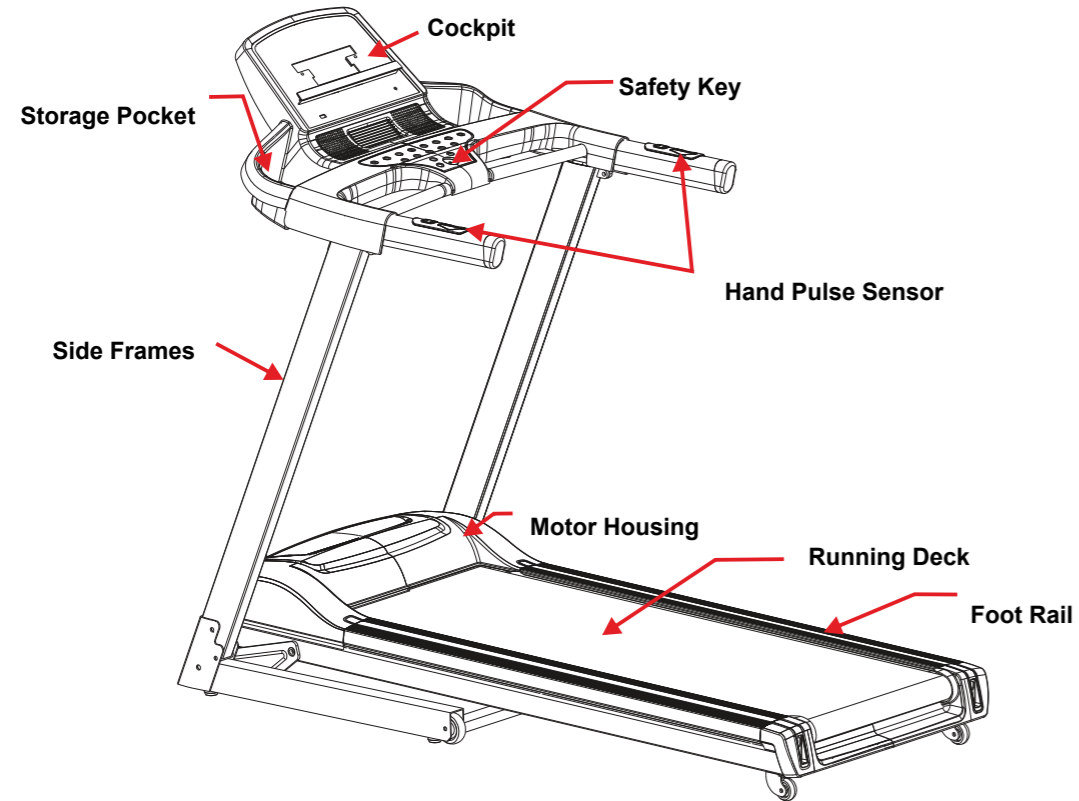
Personal Safety Instructions for Training

- The safety key must be inserted correctly before each training session can begin.
- Remove the safety key and mains cable from the training device when not in use to avoid inappropriate or uncontrolled use by any other third party, eg. children.
- Stop training immediately if you feel physically unwell or are experiencing any breathing difficulties.
- Always start your training session at a low workload increasing it slowly but steadily throughout. Reduce the workload again towards the end of your training session.
- Suitable sports shoes and clothes should always be worn during training sessions. Make sure that loose clothes do not get caught up in the treadmill belt or rollers.
- Your training device is only to be used by one person at a time.
- Check each time before a training session to see if your device is in perfect condition. Never use your training device if it is faulty or defect.
- You are only permitted to carry out repairs to the device yourself after having contacted our Service Department and on receipt of explicit permission to do so. Only original spare parts may be used at any time.
- Your training device must be cleaned after each use. Remove all dirt including body sweat or any other liquids.
- Always make sure that liquids (drinks, body sweat, etc.) do not get into the vibrating plate or into the cockpit as this can cause damage to the mechanical and electronic components.
- Your training device is not suitable to be used by children.
- Third parties, in particular children and animals, must be kept at an appropriate safety distance during training.
- Check before each training session if there are any items underneath the training device and remove them without fail. Never use the training device when items are underneath it.
- Do not allow children to misuse your training device as a toy or climbing frame at any time.
- Ensure that no body parts of your own or other third parties ever come into contact with any of the moving mechanisms.

The construction of this training device is based on state of the art technology and highest modern technical safety standards. This training device is to be used by adults only!

Extreme misuse and/or unplanned training can cause damage to your health!

Overview of the Device



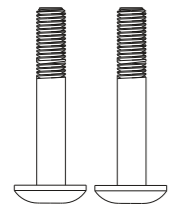
Assembly

Carefully unpack all delivered parts. Have someone there to help you as some of the training device parts are bulky and heavy. Check that all the parts and fixing materials (screws, nuts, etc.) have been delivered. Assemble the parts carefully as any damages or defects occurring due to mistakes made at the time of assembly are not covered by the warranty or guarantee. Therefore, read through the assembly instructions carefully before you start assembling, follow each assembly step exactly as described and keep to the correct sequence of assembly as instructed. Assembly of the training device must be carried out thoroughly by an adult person only. Assemble the training device in a location which is level, clean and clear of obstructions. 2 people are required to carry out the assembly. Training can only start when the training device has been fully assembled.

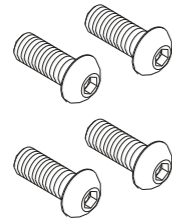
Step 1:

Lift both upright side frames (4L / 4R) simultaneously until they are pressed into the bearings on the base frame. The boreholes on the side frames should be in line with the boreholes on the base frame. Screw in two socket head screws M8x50 at each side of the frame (4L/4R) and one M8x15 socket head screw at the front of each side of the frame.

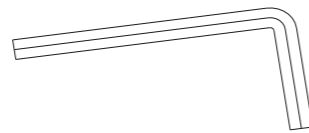
Assembly Material & Tools



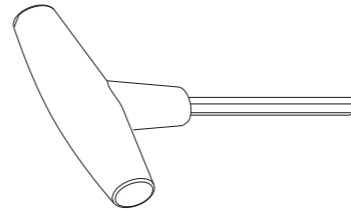
Socket Head Screw
M8x50
2 Pieces



Socket Head Screw
M8x15
4 Pieces



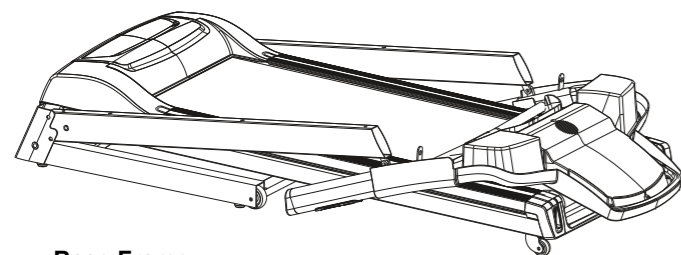
Spanner for Socket Head
Screw S6



Allen Key

If preferred, the tools supplied may be supplemented or replaced by your own tools. Make sure that each tools are an exact fitting to the parts.

Scope of Delivery



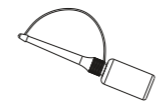
Base Frame



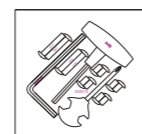
Tablet-PC Holder



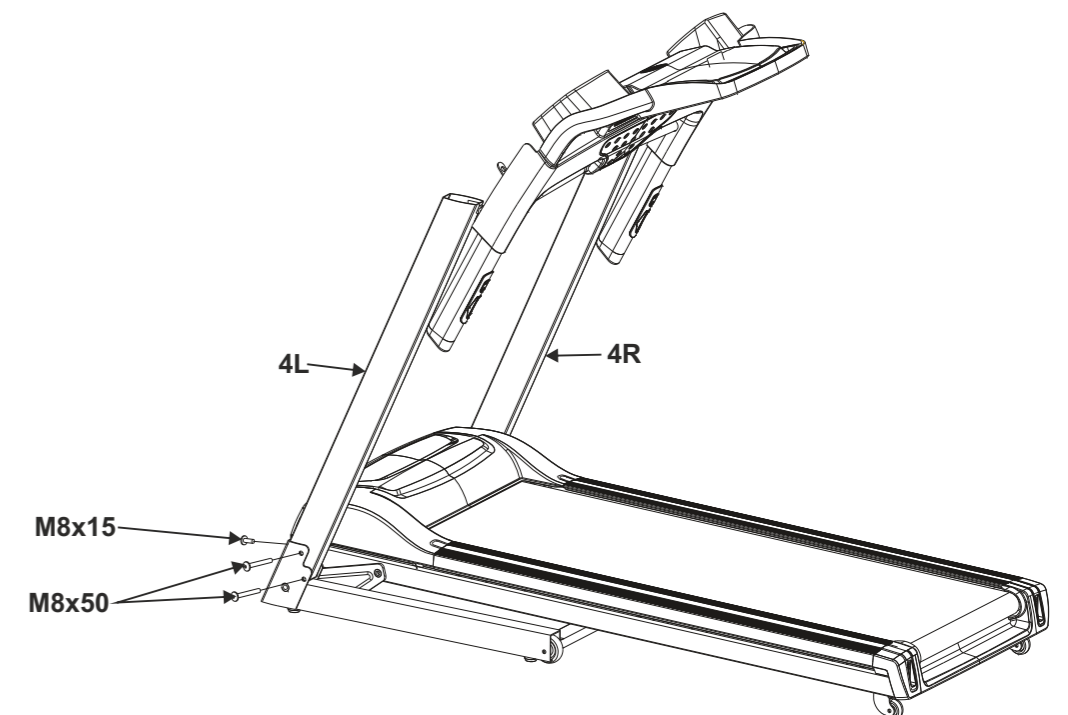
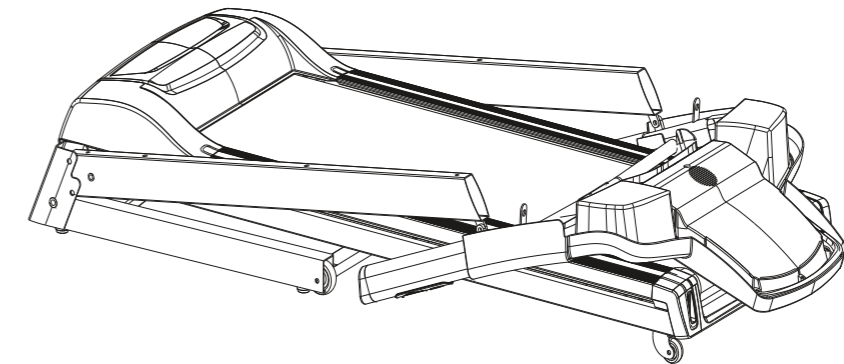
Safety Key



Maintenance Oil



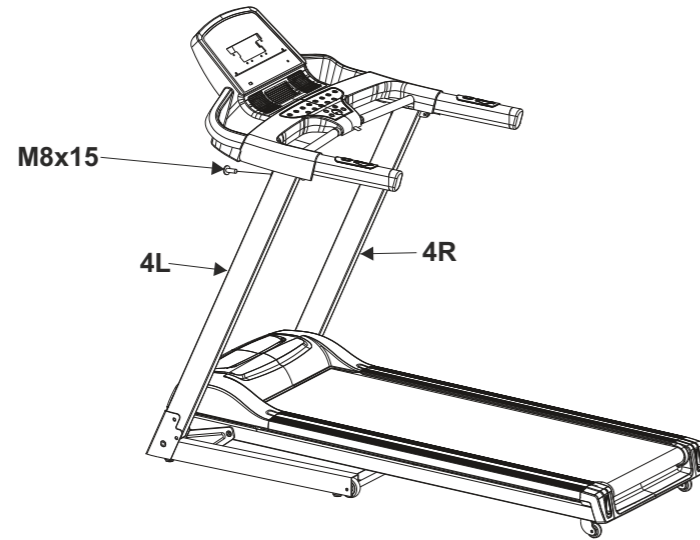
Set of Screws



Assembly

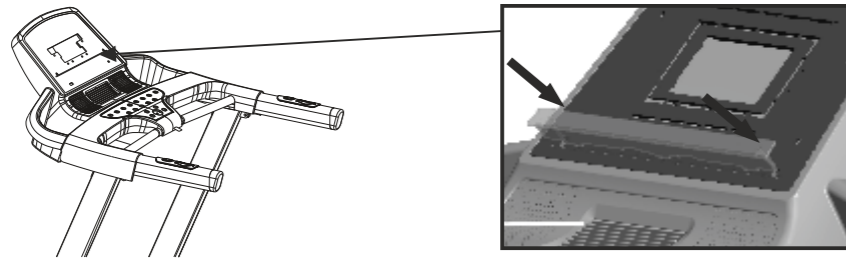
Step 2:

Lift the cockpit up and fix it with an oval socket head screw M8x15 on both sides of the frame (4L/4R).



Step 3:

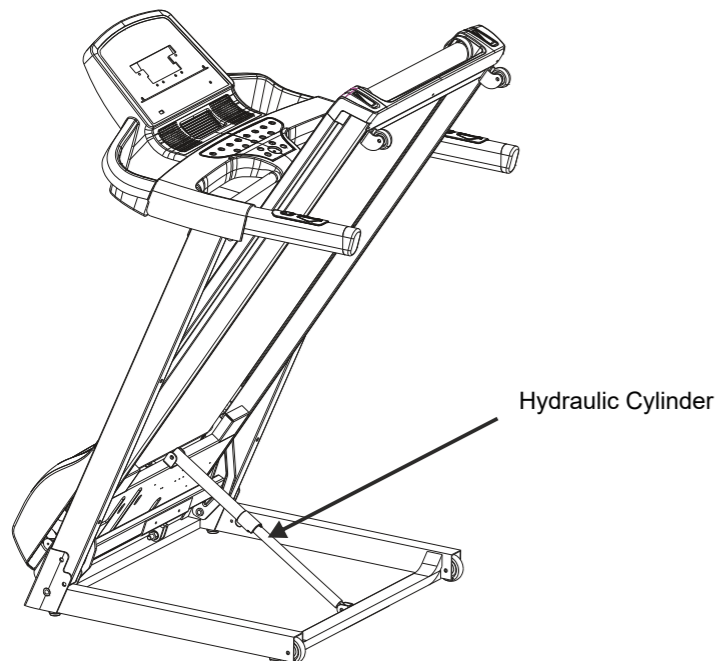
Fix the tablet holder on the front of the cockpit below the display.



Folding Mechanism

Hydraulic Cylinder

The folding mechanism consists of a high pressure hydraulic cylinder filled with oil. If the cylinder becomes damaged, then the safety of the folding system is no longer guaranteed. It is vital in this case to replace the damaged hydraulic cylinder before lifting the treadmill deck again.



Folding Mechanism

This treadmill is equipped with a folding mechanism. To save space fold the treadmill deck up and down as follows:

Folding up the Treadmill Deck

Step 1:

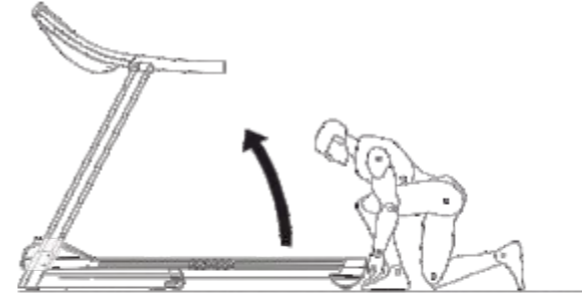
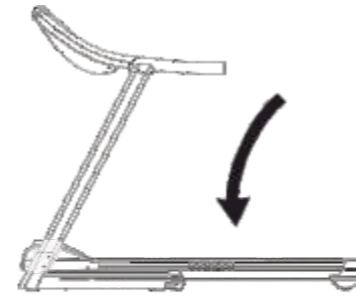
Make sure that the deck incline level is at "0", switch the treadmill off at the main switch and remove the mains plug from the socket.

⚠ WARNING:

Never fold up the treadmill deck without ensuring that the incline is on level "0" and the treadmill is switched off.

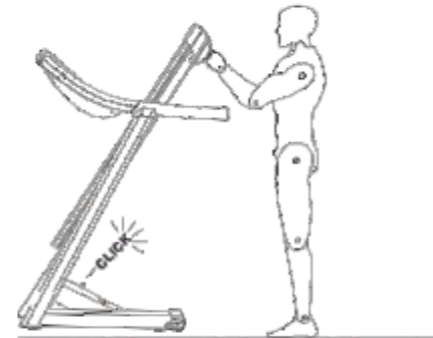
Step 2:

Hold onto the rear end of the treadmill deck and lift it upwards. Make sure that you are standing with your feet firmly on the ground.



Step 3:

Push up the deck until you hear it lock into the catch. Check that it is locked safely in the upright position by gently shaking the deck.



Folding Down the Treadmill Deck

Step 1:

Take hold of the rear end of the deck with both hands. Press down the safety lever on the catch with your foot to release the lock. Pull the treadmill deck down gently to the floor.

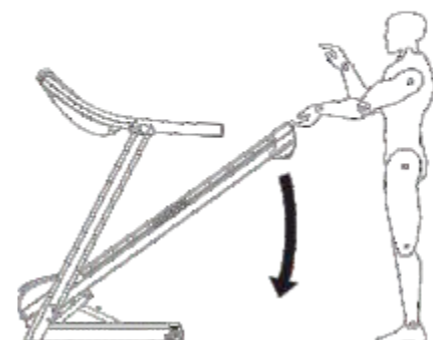


Step 2:

The treadmill deck is equipped with a Soft-Fold-System. This allows the deck to move slowly down until it reaches contact with the floor. You should never leave the deck to fold down unsupervised.

⚠ WARNING:

Never allow children to fold up or fold down the treadmill. Always make sure that there are no items or living beings under the treadmill deck whilst it is being raised or lowered.



Transport

When folded, the treadmill can be moved easily and without much effort.

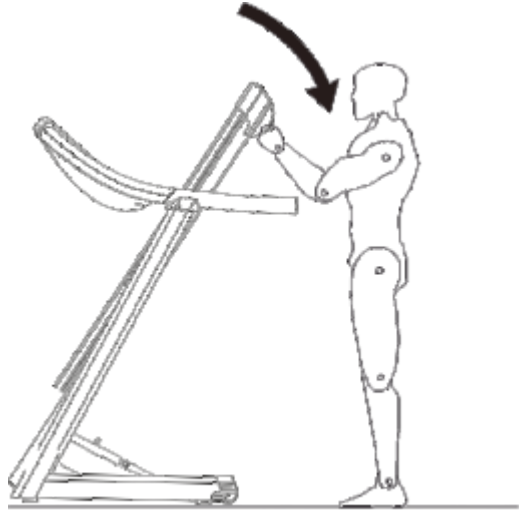
Move the treadmill as follows:

Step 1:

Fold up the treadmill as instructed in the "Folding Mechanism" section

Take hold of the top ends of the deck on both sides with your left and right hands and pull the deck towards you until the weight of the deck is resting on the transport rollers.

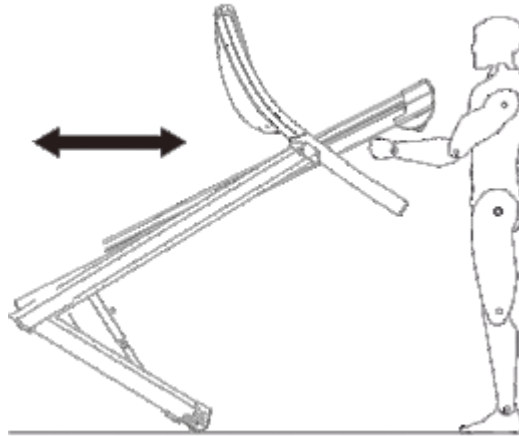
Make sure that you are standing with your feet firmly on the ground.



Step 2:

The treadmill can now be moved easily and without much effort. Make sure that there are no items or living beings in the way when you are moving the treadmill.

Make sure that your feet are steadily on the ground when moving the treadmill.

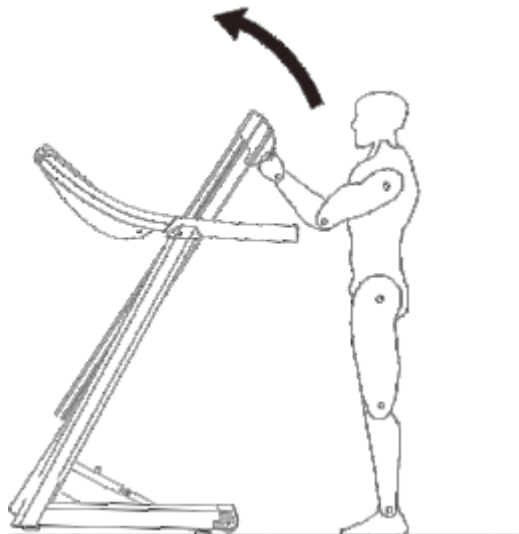


Step 3:

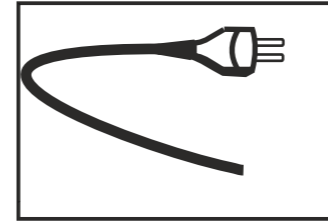
To set the treadmill safely down again, lift the deck right up until the front frame base is completely on the ground.

⚠ WARNING:

The treadmill should only be moved by an adult.



Mains Cable



Mains Cable

Connect the mains plug on the mains cable to an electrical socket.



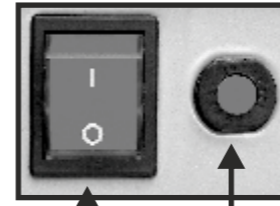
This device is only to be connected to an earthed socket installed by a qualified electrician. Do not use a socket strip to connect the treadmill belt. If an extension cable is required, then it must comply with VDE regulations and guidelines.

Main Switch

The main switch is located next to the mains connection on the front of the treadmill. Use this switch to turn the treadmill on and off.

Switch position „I“ = treadmill turned on.

Main Switch position „0“ = treadmill turned off



Main Switch

Fault-Current Button Switch

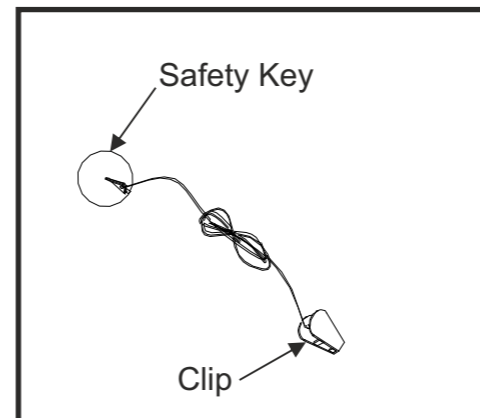
Fault-Current Switch (depending on the model)

There is a fault-current button-switch next to the main switch on the front of the motor cover to prevent the treadmill from being damaged by electrical surges in the network. This button-switch is triggered off by if a surge in the electrical supply occurs and acts as a circuit breaker. In this case the treadmill will be completely switched off. If this occurs, switch off the treadmill at the main switch, and pull the mains cable out of the socket with the plug. Press the button on the fault-current switch back in. Re-connect the mains cable with the plug and switch the treadmill back on at the main switch.

Fuse (depending on the model)

There fuse next to the main switch on the front of the motor cover to prevent the treadmill from being damaged by electrical surges which can occur in the network. In this case the treadmill will be completely switched off. If this occurs, switch off the treadmill at the main switch, and pull the mains cable out of the socket with the plug. Check the fuse and replace it if necessary. Re-connect the mains cable with the plug and switch the treadmill back on at the main switch.

Safety Key



Safety Key

The treadmill will only operate if the safety key is correctly in contact with contact point in the cockpit. The treadmill will stop automatically if the safety key is no longer in contact. Before each training session make sure to attach the safety key to your clothing with the clip. If you either want to stop the treadmill quickly, cannot keep up with the speed, or any other emergency arises, pull the string to remove the safety key out of the cockpit. If the safety key is connected to your clothing it will automatically be pulled out of the cockpit if you fall. It is therefore vital to make sure that the clip is securely fastened to your clothing and cannot somehow be pulled off. Adjust the length of the string to hang down loosely during training. It is not possible to operate the treadmill without the safety key being correctly inserted. Always remove the safety key when your treadmill is not in use to ensure that it cannot be used by any other third party, for example by children, without your permission or unsupervised.

The treadmill will stop automatically if the safety key is pulled out of the cockpit during training. The incline will remain in the adjusted position and can only be lowered after the safety key has been re-connected.

Safety Distance

Select a suitable place to keep your training device with a free safety area space of at least 200 cm long and 100 cm wide behind the training device. Furthermore, during training, a safety distance down the length of the treadmill with a minimum width of 100 cm should be kept to the right and/or lefthand side of the treadmill.

What to do in an Emergency

Stop training immediately if you realise that you cannot keep up with the pace, if you start feeling sick or if any other emergency situation arises, pull the safety key out with the string to make an emergency stop. Hold on firmly with both hands onto the handrails and place your feet on each side of the tread belt.

If you trip during training, hold onto the handrails immediately with both hands, support yourself with your hands and arms on the handrails and put your feet on the footrails on either side of the belt.

You should practice this several times so that you will know what to do if an emergency situation arises.

Wear the safety key every time you use the treadmill. Make sure that all third parties are familiar with the safety instructions and that they always use the safety key correctly whilst they are training!

WARNING

Turn off your training device and remove the plug from the mains before you carry out any maintenance, cleaning, servicing, repairs or similar on your training device. Check without fail that your device is completely disconnected from the mains and turned off before you start with any work. Only reconnect your training device back to the mains when all works are completed and the device has been completely put back together again.

Before re-starting the training device or before starting it back up again after a longer training

break interval

Make sure that the treadmill is standing firmly on the ground. There should be no items on or underneath the device. Check that there is an even film of lubricant (silicon) on the treadmill deck. If this is not the case, then apply a film of silicon provided by the distributor.

Service and Cleaning Intervals:

Clean the treadmill belt each time after training with a damp cloth to remove any sweat and or liquids. Do not use solvents. Dry off the cleaned areas thoroughly.

Treadmill Belt Lubrication Check: 1 x per Week

If the lubrication is not sufficient, lubricate it immediately and adapt the interval between checks accordingly. The lubrication checks require to be done more often at shorter intervals. If the device has a folding mechanism and has been left in a folded position for a long period of time, check to see if it is lubricated sufficiently.

Belt Track Check: 1 x per Week

The belt track must be checked regularly. If the belt is running off to one side, this should be corrected immediately. Find and read the appropriate instructions on how to do this in this Manual.

Cleaning the Motor Compartment: 1 x per Month

To clean the motor compartment undo the screws on the motor cover and lift it up.

WARNING: Only do this if the training device is switched off and the plug on the mains cable is removed from the socket. Remove all visible dust with a small vacuum cleaner nozzle. Do not under any circumstances use any cleaning liquids or compressed air.

Fixing Materials Check: 1 x per Month

Check the screws, nuts and bolts at least once a month and tighten them if necessary.

Why is maintenance work on my treadmill so important?

In order to have long term enjoyment with your treadmill it is important to carry out some basic maintenance on a regular and thorough basis. The required intervals depend strongly on how much your training is used. For this reason, the maintenance may need to be carried out at much shorter intervals than the ones recommended.

What can happen if maintenance works are not done properly?

When in use friction is caused between the treadmill belt and the deck. Any type of friction causes wear and will reduce the service life of your training device. Friction is reduced by lubricating between the deck and the belt and this in turn will increase the service life of the treadmill. If the belt is run with too little lubrication, significant heat will be produced on the running deck. The surface of the deck and the running belt will get damaged. Friction may then become so high that a static charge may occur and it is highly likely that, if touched, it can be discharged via the frame into the body. This is not only very unpleasant but it can also destroy the electronic components in the treadmill.

Why do I have to clean the motor compartment?

Movement of the treadmill belt and motor ventilator cause the belt to draw in dust from the environment. Dust will gather both underneath and in the device. At some point so much dust could collect in the device to cause a short-circuit in the electronic components. To avoid this happening, it is necessary to clean the device regularly.

Damages caused by failure or lack of maintenance and care are excluded from the warranty

and guarantee.

The costs of repairing an training device which has not been properly maintained can very quickly amount to several hundred Euro.

A high price which can be avoided by carrying out regular care and maintenance.

Lubricating the Treadmill Belt

The most important maintenance work to do to a treadmill is regular and timely lubrication and care and maintenance of the belt. Damages or defects caused by failure or lack of maintenance and care are in no way covered by the warranty or guarantee.

The treadmill belt must always be lubricated if a significant increase of friction is detected. This will become apparent if the belt makes jerking movements during training or if fault message E1 appears in the display on the cockpit. Insufficient lubrication or care and the resulting increase in friction will inevitably lead to an increase in wear and cause damage to the treadmill belt, deck, motor and circuit board.

How often you use the treadmill will generally determine how often you have to carry out the maintenance measures. As this varies from person to person, we would recommend that you keep a maintenance book. You should set a specific day every week in the first 6 months of use to check the treadmill belt lubrication. Lift up the front third part of the belt and feel with your hand if there is still lubrication in the middle of the belt. If lubrication is present then write „ok“ next to the date in your maintenance book. If there is little or no lubrication present then lubricate the belt and write this down in your maintenance book accordingly. In time it will be possible to see at what time intervals lubrication is required.

⚠ Even if you do not want to keep a maintenance book, you must check the lubrication of the the treadmill belt at least once a week!

If the treadmill is not used, or the treadmill remains folded-up for some longer period of time you must check the lubrication of the belt before use and lubricate it if necessary.

To achieve optimum lubrication of the belt use the MAXXUS maintenance oil bottle, remove the normal screw bottle top (Diagram 1) and screw on the thin tube top (Diagram 2). Before lubricating the belt, make sure that the treadmill is switched-off and that the belt is no longer moving. Lift up the belt (Diagram 3).

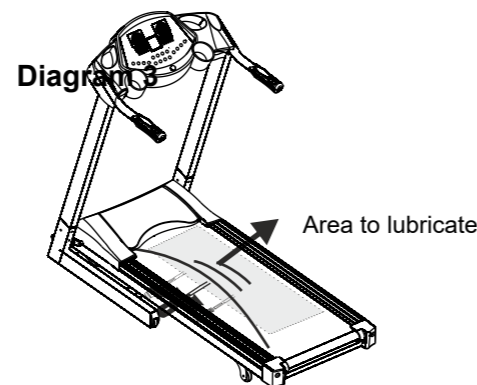
Diagram 1



Diagram 2

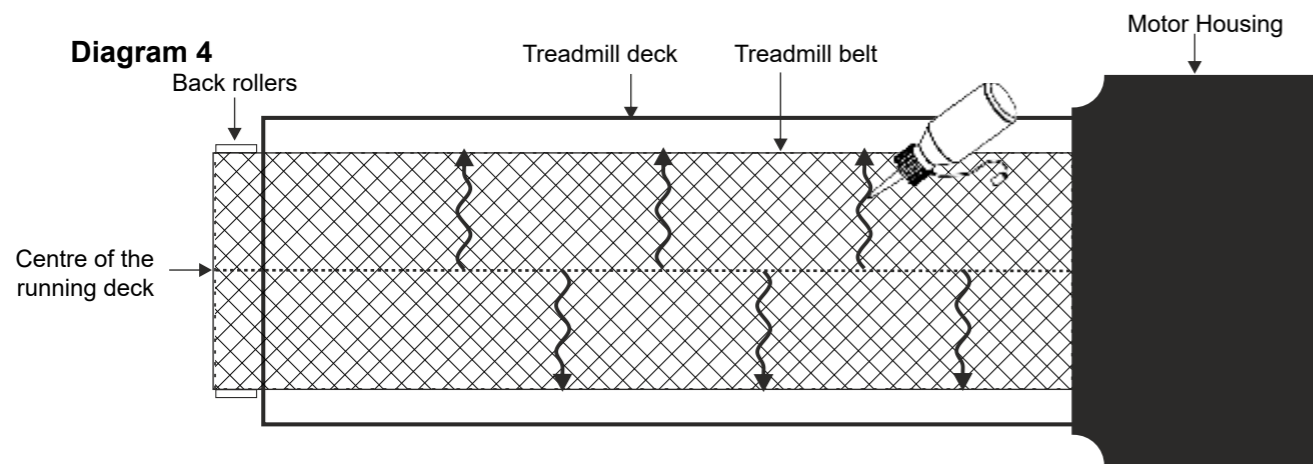


Diagram 3



The belt should be lubricated from both sides. Lift up the belt from one side high enough so that you can reach the middle of the belt with the end of the thin tube on the silicone oil bottle. Apply a wavy line of silicone oil from the middle of the belt towards the sides. You should apply three to four lines of silicone oil running from the middle of the belt to the sides. At each lubrication process you should not apply more than 10 to max 20ml of silicone oil. If too much silicon is applied this may lead to the treadmill belt slipping through. In this case remove the excess oil from the deck and drive rollers with a dry cloth.

Diagram 4



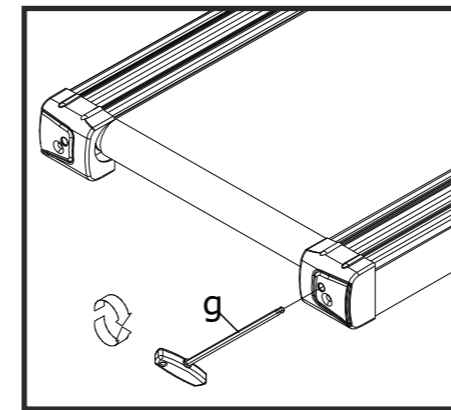
⚠ Only use the silicone bottle supplied or MAXXUS® maintenance oil (available from www.maxxus.de) to lubricate the treadmill belt.

Do not at any time use any other types of silicone or lubricants! After completing a lubrication process, walk and run on the treadmill with the belt running at a speed of 3 - 4 km/h for approx. 3 to 5 minutes. Whilst doing this, change your position constantly from left to right and in the middle of the belt to distribute the silicone oil well.

⚠ Following lubrication do not fold up the treadmill for at least 3 days.

Adjusting the Treadmill Belt

⚠ The treadmill belt must always be switched off with the mains cable plug removed from the socket before starting any maintenance, cleaning, repairs or any other works!



To achieve as long a service life as possible, the belt should always be kept running straight and in the middle of the deck. Check therefore before each training session if the belt is straight and running in the middle of the deck or if it has changed position. Possible reasons for it changing position are:

- The ground on which the treadmill is standing is either uneven or at an incline.
- Personal running style (eg. distribution of weight to one side, in or out-turned feet etc)

The treadmill belt can be adjusted in the following way:

1. Start-up the treadmill belt and let it run at a constant speed of 4 km/h.
- 2.1 If the belt is running towards the left, turn the left adjustment screw located at the back end of the belt by 1/8 turn clockwise and the right adjustment screw 1/8 turn anti-clockwise. Wait for a short while to see the results as this will not immediately be apparent.

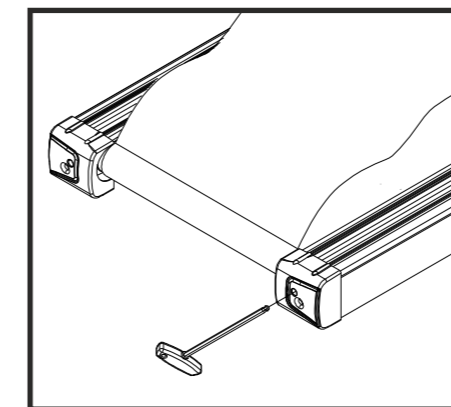
⚠ The running direction of the belt will already be changed with a turn of 1/8 of the adjustment screw. Therefore, only adjust the screws a little at a time.

- 2.2 If the belt is running towards the right, turn the right adjustment screw by 1/8 turn clockwise and the left adjustment screw 1/8 turn anti-clockwise.
3. If the belt is now running in the middle of the deck, the adjustment will be correct. If this is still not the case, repeat the steps described in 2.1 and 2.2 until the belt is running in the middle.

⚠ If the belt cannot be adjusted, please contact a specialist immediately.

If the belt has become so displaced that it is rubbing along one of the foot rails, this will cause interferences and defects to the treadmill belt. Damages caused by failure or insufficient adjustments to be made to the treadmill belt will not be covered by the warranty or guarantee without fail.

Re-tensioning the Treadmill Belt



If the belt is slipping on the drive rollers during operation (this will be made apparent by the belt jolting noticeably during running) the belt requires to be re-tensioned. The belt is re-tensioned using the same adjustment screws as when adjusting the belt.

1. Start-up the treadmill belt and let it run at a constant speed of 4 km/h.
2. Turn one adjustment screw after the other by 1/8 of a turn in a clockwise direction.
3. Try to slow down the belt by walking on it as if you are walking down a steep slope. If the front roller is still turning through, repeat the tensioning process once again. The treadmill belt should be tensioned so that the front roller only turns through with heavy braking.



The display on the cockpit gives you information about the following training values:

CAL*	Energy consumption in kcal	TIME	Training time
INCL	Incline	SPEED	Speed in km/h
PULSE	when using hand sensors: Pulse When using a Transmitter Chest Belt*: Heart Rate	DIS	Training distance in km

*not included in scope of delivery - available as accessory

*Information about the Counting of Calories

The calculation of energy consumption is based on a generalised formula. It is not possible to determine the exact individual energy consumption as to do this would require a huge number of personal data. The given energy consumption is a general calculated value and is not determined individually by the current user.

Display

The cockpit display is a 5" Blue-Backlight LCD-Display. The blue backlight makes it possible to read the display if in darker surroundings and gives a clear view of the training data.

INCLINE ↑ / ↓ Key

With this key you can adjust the incline in 1% stages.

↑ = Increase the incline ↓ = Decrease the incline

SPEED +/-

With the +/- keys you can adjust the speed at 0.1 km/h stages.

+ = Increase the speed - = Decrease the speed

One-Touch Keys

Your treadmill cockpit has one-touch keys to adjust the incline and speed. With these one-touch keys you can quickly and easily select specific speeds and inclines.

Handrail Control

The handrails are fitted with control keys for speed and incline and with these you can regulate the speed and incline.

STOP Key

Stops and ends the current training session.

START Key

Starts the quick-start function or the selected training program.

Pause Function:

The belt can be stopped during training by pressing the START key once. The cockpit switches the treadmill into Pause Mode for 5 minutes. When the START key is pressed again, the training session will continue from the same place it was stopped. After a 5 minute pause the cockpit will automatically reset all values to zero. If you wish to continue your training session from pause mode, simply press the START key again.

PROGRAM Key (P)

Key to select the programs.

MODE Key (M)

Key to select the training guidelines

Heart Rate Monitoring

Your treadmill cockpit is fitted with a Polar compatible receiver as a standard fitting for use with an uncoded, Polar compatible chest belt. Chest belts are available as an accessory.

Hand Pulse Sensors

For short term monitoring of the pulse. Please do not take hold of the hand sensors whilst wearing a chest belt as this can cause faulty monitoring.

Switching-On the Treadmill

Connect the the mains plug on the mains cable to a 16A single fused socket installed by a qualified electrician. Switch the treadmill belt on using the On/Off Key. This can be found on the rear of the motor housing.

Standby Mode

If the treadmill is not used for more than 4:30 minutes without being switched off, the cockpit will automatically switch into Standby Mode. The cockpit can be reactivated from Standby Mode by pressing any key. Please note that devices also consume electricity in standby mode. Switch off your treadmill completely when not in use.

Switching-Off the Treadmill

To turn off the treadmill press the On/Off key again. Pull the plug out of the socket. **WARNING:** Before switching off the treadmill, make sure that the incline is at Level "0".

Quickstart

Switch on the treadmill and press the START key. The treadmill will start up automatically following a countdown period. The Training time will then commence. You can regulate the speed with the SPEED key and the incline with the INCLINE key whilst training. Press the STOP key if you want to interrupt or end the training session.

Manuel Training ()**Step 1: Selecting a Program**

After the treadmill is switched on "MANUAL" will appear in the display. If the treadmill is already switched on and a different program is appearing in the display, simply press the STOP key.

Step 2: Entering the target value

Here it is possible for you to enter your target training time, target training distance, or target calorie consumption.

Entering a Training Time:

Press the MODE key. The value of 30:00 minutes will blink in the time display. Enter the required training time from between 05:00 to 99:00 minutes.

Entering a Training Distance:

Press the MODE key twice. The value of 1.0 Kilometre will blink in the DISTANCE display. Enter the required training distance from between 1.0 to 99.0 kilometres using the control key for incline or speed.

Entering a Calorie Consumption:

Press the MODE key three times. The value of 50 calories will blink in the CALORIES display. Enter the required calorie consumption from between 20 to 990 kcals by pressing the control key for incline or speed.

Please be aware that you can only ever enter a target value.

Step 3: Training Start

Select the required training target with the START key. A countdown will appear in the display. Each countdown digit is supported by an acoustic signal. At the end of the countdown the treadmill will start automatically.

End of Training Session

The treadmill will stop automatically when the training target has been reached.

Training Profile P1 - P36

Training with previously programmed training profile.

Step 1: Profile Selection

After switching on the treadmill press the P key and select the training profile required from P1 to P36.

Step 2: Time Input

In the display TIME value 30:00 minutes will blink. Enter the required training time between 05:00 to 99:00 minutes by pressing the control key for incline or speed.

Step 3: Profile Start

Press the START key.

A countdown will appear in the display. Each countdown digit is supported by an acoustic signal.

At the end of the countdown the training time and treadmill starts automatically.

End of Training Session

The treadmill will stop automatically when the training target has been reached.

The structure of the training programs can be found on pages 19 and 20.

Available Memory U01, U02 and U03

These are 3 free memory spaces for individual training profiles.

Step 1: Program Selection

After switching on the treadmill select which memory you want from U01, U02 or U03. In the display the appropriate program will appear and the value "30:00" will blink. Now press the M key.

Step 2: Speed and Incline Selection

The speed (1.0km/h) and incline (Level 0) values will be blinking in the display. Below the program display a "01" will appear which represents the first of a total of 10 training session segments.

Enter the required speed by pressing the control key for speed and then the required incline by pressing the key for incline.

Confirm your input by pressing the MODE key.

Now the value for speed and incline will blink again and shown as segment "02".

Repeat the procedure and enter the values for segments 02 to 10 in the same way.

Step 3: Training Time Selection

When you have confirmed your input for segment 10 with the M key, a value of "30:00" will start blinking in the time display. Enter the required training time from between 5:00 and 99 minutes using the +/- key for speed.

Step 4: Program Start

Now press the START key.

A countdown will appear in the display. Each countdown digit is supported by an acoustic signal.

At the end of the countdown the training time and treadmill starts automatically.

The End of a Training Session

The treadmill will stop automatically at the end of the selected training time.

Heart Rate Controlled Program (HRC)

This program is a heart rate-controlled training program. Here the user enters the required target heart rate

This given rate is then continually compared to the user's actual heart rate via the cockpit.

If the actual heart rate is lower than the required target heart rate, the treadmill will automatically increase its speed. If the actual value is higher, the treadmill will automatically slow down. The main requirement necessary to use this program are consistent and exact heart rate measurements.

For this reason, this program can only be used together with an uncoded heart rate chest belt which are available as an accessory. It is not possible to use this program using hand sensors. Read more about this in these instructions under the section heading "Heart Rate Monitoring".

Step 1: Program Selection

After switching on the treadmill select the required program from HRC1, HRC2 and HRC3 by pressing the P key.

Now "HRC" will appear at the top and HRC 1 = "01", HRC 2 = "02" and HRC 3 = "03" in the middle part

of the display. These three programs have different maximum speeds and so the maximum speed in each program will not be exceeded.

HRC 1 = max. 9.0 km/h HRC 2 = max. 11.0 km/h HRC 3 = max. 13.0km/h

The value of "25" will blink in the display.

Step 2: Input of User Age

Now enter the age of the user by pressing the +/- keys for speed.

Confirm your entry by pressing the M key.

Step 3: Input of Target Pulse

The target heart rate calculated by the cockpit will appear in the display.

The amounts to 60% of the maximum heart rate.

If you want to train at this calculated value, confirm it by pressing the M key.

If you want to train with your own target heart rate, enter this by pressing the +/- keys

for speed. Confirm this by pressing the M key.

Read more about this under the section heading "PULSE & HEART RATE" in these instructions.

Step 4: Time Input

In the TIME display the value of 30:00 minutes will blink. Enter the required training time from between 05:00 and 99:00 minutes by pressing the +/- key for speed.

Step 5: Profile Start

Now press the START key.

A countdown will appear in the display. Each countdown digit is supported by an acoustic signal.

At the end of the countdown the training time and treadmill starts automatically.

The End of a Training Session

The treadmill will stop automatically at the end of the selected training time.

Calculation of Body Mass Index

Step 1: Program Selection

After switching on the treadmill select Program F using the P key. "F" will blink in the display.

Step 2: Gender Input

F1 will be shown in the display. Enter the user's gender by pressing the +/- keys for speed. "1" represents "male" and "2" for "female" Confirm your entry using the M key.

Step 3: Age Input

F2 will be shown in the display. Enter the user's age by pressing the +/- keys for speed. Here it is possible to enter up to 99 years old. Confirm your entry using the M key.

Step 4: Height of User

F3 will be shown in the display. Enter the user's height by pressing the +/- keys for speed. Here it is possible to make entries from between 100 to 220 cms. Confirm your entry using the M key.

Step 5: Weight of User

F4 will be shown in the display. Enter the user's weight using the +/- keys for speed. Here it is possible to make entries of up to 150 kilograms Confirm your entry with the M key.

Step 6: Program Start

F5 will be shown and blinking in the display "----". Take the hand pulse sensors in both hands and hold them firmly for approx. 10 seconds.

Step 7: End of Program

Following the successful measurement, the BMI will be shown (Body Mass Index)

Body-Mass-Index (BMI)

This value is calculated from the ratio of body weight to body height and serves to evaluate a person's body weight in relation to their body height. Please be aware that the BMI can only be taken as a rough guide as the physical build, gender, and individual composition of fat and muscle is not taken into account here. "Ideal" BMI depends on a person's age.

The table shows BMI values for different age groups.

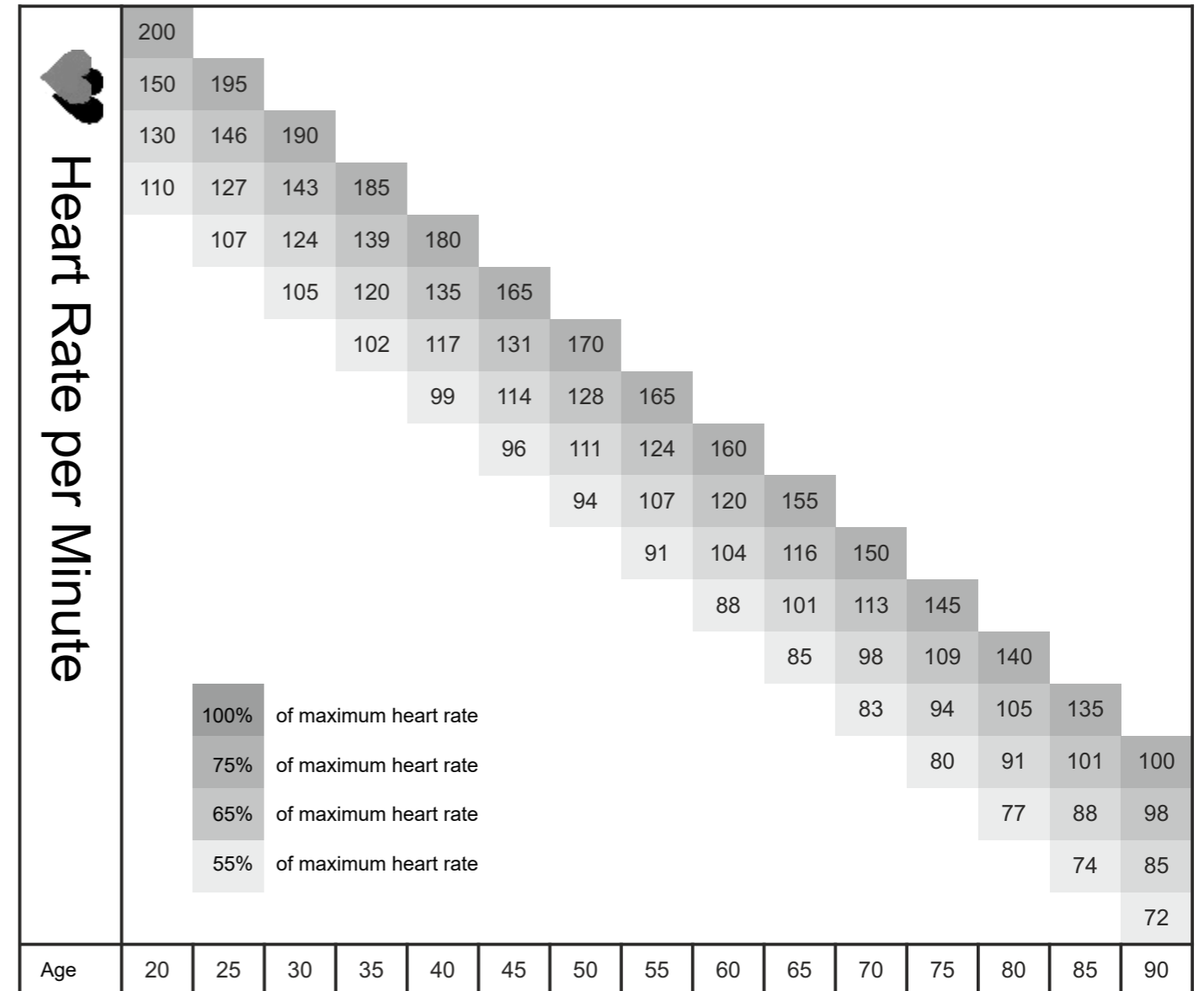
Age	BMI
19 - 24 Years	19 - 24
25 - 34 Years	20 - 25
35 - 44 Years	21 - 26
45 - 54 Years	22 - 27
55 - 64 Years	23 - 28
> 64 Years	24 - 29

Program Segment		1	2	3	4	5	6	7	8	9	10
P1	km/h	1	3	5	5	5	7	7	5	3	2
	Incline	2	2	8	6	6	4	4	6	2	2
P2	km/h	2	3	5	8	5	5	6	8	4	3
	Incline	3	3	2	2	8	8	4	4	4	4
P3	km/h	2	3	7	8	5	5	5	8	4	3
	Incline	1	2	5	7	7	4	4	6	2	2
P4	km/h	2	2	5	8	8	8	8	5	3	2
	Incline	3	3	9	9	9	9	9	6	2	2
P5	km/h	3	4	8	9	10	10	10	7	4	3
	Incline	2	2	8	6	6	6	6	6	1	1
P6	km/h	3	4	6	7	7	7	9	10	5	3
	Incline	1	8	8	7	7	7	7	5	3	1
P7	km/h	3	4	4	10	4	9	4	11	3	2
	Incline	1	1	6	6	6	8	8	10	6	2
P8	km/h	3	5	7	9	3	5	7	5	11	5
	Incline	3	3	3	7	7	3	3	3	5	5
P9	km/h	3	7	10	4	7	11	5	4	12	6
	Incline	3	6	7	3	8	8	3	8	4	4
P10	km/h	3	5	9	10	6	6	9	6	11	3
	Incline	2	7	5	5	8	8	8	8	4	4
P11	km/h	4	5	11	9	6	8	9	11	6	5
	Incline	1	6	3	3	7	7	4	4	6	6
P12	km/h	4	6	10	10	10	7	7	10	6	5
	Incline	3	8	9	5	5	8	8	4	4	4
P13	km/h	2	4	6	6	6	8	8	6	4	3
	Incline	3	3	9	7	7	5	5	7	3	3
P14	km/h	3	4	6	9	6	6	7	9	5	4
	Incline	4	4	3	3	9	9	5	5	5	5
P15	km/h	3	4	8	9	6	6	6	9	5	4
	Incline	2	3	6	8	8	5	5	7	3	3
P16	km/h	3	3	6	9	9	9	9	6	4	3
	Incline	4	4	10	10	10	10	10	7	3	3
P17	km/h	4	5	9	10	11	11	11	8	5	4
	Incline	3	3	9	7	7	7	7	7	2	2
P18	km/h	4	5	7	8	8	8	10	11	6	4
	Incline	2	9	9	8	8	8	8	6	4	2
P19	km/h	4	5	5	11	5	10	5	12	4	3
	Incline	2	2	7	7	7	9	9	11	7	3
P20	km/h	4	6	8	10	4	6	8	6	12	6
	Incline	4	4	4	8	8	4	4	4	6	6
P21	km/h	4	8	11	5	8	12	6	5	12	7
	Incline	4	7	8	4	9	9	4	9	5	5
P22	km/h	4	6	10	11	7	7	10	7	12	4
	Incline	3	8	6	6	9	9	9	9	5	5

Cockpit

Program Segment		1	2	3	4	5	6	7	8	9	10
P23	km/h	5	6	12	10	7	9	10	12	7	6
	Incline	2	7	4	4	8	8	5	5	7	7
P24	km/h	5	7	11	11	11	8	8	11	7	6
	Incline	4	9	10	6	6	9	9	5	5	5
P25	km/h	3	5	7	7	7	9	9	7	5	4
	Incline	4	4	10	8	8	6	6	8	4	4
P26	km/h	4	5	7	10	7	7	8	10	6	5
	Incline	5	5	4	4	10	10	6	6	6	6
P27	km/h	4	5	9	10	7	7	7	10	6	5
	Incline	3	4	7	9	9	6	6	8	4	4
P28	km/h	4	4	7	10	10	10	10	7	5	4
	Incline	5	5	11	11	11	11	11	8	4	4
P29	km/h	5	6	10	11	12	12	12	9	6	5
	Incline	4	4	10	8	8	8	8	8	3	3
P30	km/h	5	6	8	9	9	9	11	12	7	5
	Incline	3	10	10	9	9	9	9	7	5	3
P31	km/h	5	6	6	12	6	11	6	12	5	4
	Incline	3	3	8	8	8	10	10	12	8	4
P32	km/h	5	7	9	11	5	7	9	7	12	7
	Incline	5	5	5	9	9	5	5	5	7	7
P33	km/h	5	9	12	6	9	12	7	6	12	8
	Incline	5	8	9	5	10	10	5	10	6	6
P34	km/h	5	7	11	12	8	8	11	8	12	5
	Incline	4	9	7	7	10	10	10	10	6	6
P35	km/h	6	7	12	11	8	10	11	12	8	7
	Incline	3	8	5	5	9	9	6	6	8	8
P36	km/h	6	8	12	12	12	9	9	12	8	7
	Incline	5	10	11	7	7	10	10	6	6	6

Heart Rate Monitoring



Calculating your personal heart rate when training

Calculate your personal heart rate when training as follows:

220 - Age = maximum heart rate

This value represents your maximum heart rate and serves as a basis from which to calculate your personal training heart rate. Set the calculated heart rate at 100%

Wellness and Health - target zones = 50 to 60% of the maximum heart rate.

This training zone is ideally suitable for people who are over-weight and/or older beginners, or people starting again after a longer break from training. Training in this zone the body will burn approx. 4-6 calories per minute to produce energy. The percentage ratio per calorie is approx. 70% fat, 25% carbohydrate, and 5% protein.

Fat burning - target zone = 60 to 70% of the maximum heart rate

This training zone is suitable for athletes and sports people who aim to lose weight. Training in this zone the body will burn approx. 6-10 calories per minute to produce energy. The percentage rate per calorie is approx. 85% fat, 10% carbohydrate, and 5% protein.

Condition & Fitness - target zone = 70 to 80% of maximum heart rate

This training zone is ideally suitable for athletes and sports people who aim to improve their stamina and/or condition. Training in this zone the body will burn approx. 10-12 calories per minute to produce energy. The percentage rate per calorie is approx. 35% fat, 60% carbohydrate, and 5% protein.

For optimum effects in training results you should calculate the average value of the selected target zone (also see above table):

Wellness & Health - target zone average value = 55% of maximum heart rate

Fat burning - target zone average value = 65% of maximum heart rate

Condition & Fitness - target zone average value = 75% of maximum heart rate

⚠ Warning about Pulse and Heart Rate Monitors ⚠

CAUTION - Pulse and heart rate monitoring systems may not be accurate. Excessive training can lead to serious damages to your health or death. If you feel unwell and/or near to collapse, you should stop training immediately.

Make sure that all persons using your training device are familiar with this information and that they have understood it and apply it without fail.

Pulse Rate Monitoring using Hand Sensors

Most training devices are equipped with hand pulse sensors. These are usually located in the cockpit or on the handrails. Hand sensors make short term measurements of the pulse rate. To do this hold on to the sensors with both hands simultaneously. After a short while the current pulse rate will be shown in the display. This monitoring system is based on blood pressure changes caused by the heartbeat. The changes in blood pressure cause changes in the electrical resistance in the skin which is then measured by the hand sensors. These changes are converted to an average value and shown as the current pulse rate in the display.

⚠ CAUTION:

With a large percentage of the population the change in the resistance of the skin caused by the heartbeat is so minimal that the measurements do not give any qualified results. Areas of hard skin on hands, wet hands and the unavoidable vibrations in the body whilst training, can prevent correct measurements being taken. If this is the case, a pulse rate may either not appear or it will be shown incorrectly in the display.

Please check if this incorrect or missing measurement occurs with several other people. If the faulty reading only happens with one person, the device is not defective. In this case we recommend using a chest belt to give a constant and correct pulse rate in the display. Chest belts are available as an optional accessory.

Heart Rate Monitoring using a Chest Belt

Many MAXXUS® training devices already come equipped receivers. Chest belts (we only recommend using un-coded POLAR® chest belt) allow wireless heart rate measurements to be made. Chest belts are available as accessories.

This optimum and ECG exact method of monitoring monitors the heart rate directly from the skin via a transmitter in the chest belt. The chest belt sends the impulses via an electro-magnetic field to a receiver built into the cockpit.

We recommend always to use a chest belt for the heart rate monitoring when using programs which are heart controlled.

⚠ CAUTION:

Monitoring of current heart rates using a chest belt only serve to show the actual heart rate during training. These values say nothing about safe or effective heart rates for training. This type of monitoring is in no way suitable for medical diagnosis or purposes.

Before you start training, talk to your GP about the best way to put together and implement a training plan which suits you.

This applies above all to people who:

- have not actively done sport for a longer period
- are overweight
- are more than 35 years old
- have high or low blood pressure
- have heart problems

If you have a pacemaker or wear a similar type of device, you must seek advice about using heart rate chest belts from the specialist who is treating you.

Training Recommendations

Preparation Before Training

Before you start training make sure that not only your training device is in perfect condition, your body must also be prepared for training. Therefore, if you have not done any endurance training for some time, you should consult your GP and undergo a fitness check-up. Also discuss your training target; they will certainly be able to give you valuable advice and information. This applies to people who are over 35, have problems with overweight, heart or circulatory system problems.

Training Plan

Essential to effective, target orientated, and motivating training is to have a forward-looking training plan. Plan your fitness training as an integral part of your daily routine. If you don't have a fixed plan, training can easily interfere with regular commitments or continually be put off to another unspecified time.

If possible, create a long term monthly plan and not just from day to day or week to week. A training plan should also include sufficient motivation and distraction during training sessions. An ideal distraction is to watch TV during training as this diverts your attention both visually and acoustically. Make sure that you reward yourself and set realistic targets such as to losing 1 or 2kgs in four weeks or to increase your training time by 10 minutes within two weeks for example. If you reach your targets, then reward yourself with a favourite meal which you have not allowed yourself till then.

Warm-Up Before Training

Warm-up on your training device for 3-5 minutes at minimum resistance. This will best prepare your body for the up-coming exertion in training.

Cool-Down After Training

Do not just get off your training device immediately the training session is finished. Like with the warm-up stage you should continue for 3-5 minutes at minimum resistance to cool down. After training you should stretch your muscles thoroughly.



Front Thigh Muscles

Support yourself with your right hand against the wall or on your training device. Bend your knee and raise your left foot backwards so you can hold it with your left hand. Your knee should be pointing straight down to the floor. Pull your leg backwards until you feel a light pulling in your thigh muscles. Hold this position for 10 to 15 seconds. Let your foot go and stand it back on the floor. Repeat the exercise with your right leg.



Inner Thigh Muscles

Sit on the floor. Pull the soles of your feet together in front of you raising your knees slightly. Grasp the upper sides of your feet and place your elbows on your thighs. Press your thighs down towards the floor with your arms until you feel a light pulling in your thigh muscles. Hold this position for 10 to 15 seconds. Make sure to keep your upper body straight throughout the exercise. Release the pressure from your thighs and slowly stretch out your legs to the front. Stand up slowly steadily.



Legs, Calves and Buttocks

Sit on the floor. Stretch out your right leg and bend your left leg to place the sole of your foot on your right thigh. Bend your top body over so you can stretch out your right hand to touch your right toes. Hold this position for 10 to 15 seconds. Let go of your toes and sit slowly and steadily up straight again. Repeat this exercise with your left leg.



Leg and Lower Back Muscles

Sit on the floor with your legs stretched out. Stretch forward with your hands and try to grasp the tips of your toes with both hands. Hold this position for 10 to 15 seconds. Let go of your toes and slowly and steadily sit back up straight again.

Intake of Liquids

The intake of sufficient liquids before and during training is vital. During a 30-minute training session it is possible to lose up to 1 litre of liquid. To compensate for this loss, you can drink a mix of one third apple juice to two thirds water to replace all electrolytes and minerals which your body loses through sweat. 30 minutes before you begin training you should drink approx. 330 ml. Make sure that you take in enough liquids during training.

Training Frequency

Experts recommend doing endurance training 3 to 4 days a week to keep your heart and circulatory systems fit. You will of course reach your training target quicker if you train more regularly.

Make sure that you allow for sufficient breaks in your training plan to give your body time to recover and regenerate. After each training session you should take at least a one-day break. The rule of "less is often more" even applies to fitness and endurance training!

Intensity of Training

In addition to making the mistake of training too often most mistakes are made in training intensity.

If your target is to train for a triathlon or marathon, your training intensity will certainly be very high. As this is not the aim for many people, but more usually targets like, weight reduction, heart and circulatory system training, improvement of condition, reduction of stress etc, then training intensity should be adjusted to these targets appropriately. It is best to work at the appropriate heart rate for each training target. The information in this manual in the section relating to heart rates and the table will help you further with this.

Length of Training Sessions

For optimum endurance or weight reduction training a training session would be between 25 and 60 minutes long. Beginners and returnees to training should start with shorter training session of maximum 10 minutes for the first week and then slowly increase these times from week to week.

Training Records

To optimise your training and make it as effective as possible you should work out a training plan, before you start training, which you either write down or create a table for in your computer. Here you should make a record of training session with distance travelled, training time, resistance and pulse rate as well as personal data e.g. body weight, blood pressure, resting pulse (taken in the morning as soon as you awake), and how you feel during the training session.

Here is a recommended weekly plan.

Week: ____ Year: 20____						
Date	Day	Training Duration	Training Distance	Energy Consumption	Ø Heart Rate	Comments
	Monday					
	Tuesday					
	Wednesday					
	Thursday					
	Friday					
	Saturday					
	Sunday					
Weekly Results:						

Cockpit:

Display for:

- Time
- Distance
- Calorie consumption

- Speed
- Incline
- Pulse (when using hand sensors)
- Heart Rate (when using a chest belt - available as optional accessory)

Technical Details:

Motor:	DC-Motor
Constant Motor Power:	1.75PS / 1.29kW
Drive Type:	Grooved Belt
Speed:	1.0 - 16.0 km/h, adjustable in 0.1 km/h stages
Incline:	0 - 12%, in 1.0% electronically adjustable in stages
Treadmill Deck:	approx. 1.250 x 440 mm
Total Dimensions:	approx. 1.653 x 735 x 1.295 mm (LxBxH)
Total Dimensions, folded:	approx. 1.125 x 735 x 1.305 mm (LxBxH)
Total Weight:	approx. 62 kg
Maximum User Weight allowed:	110 kg
Power Supply:	220-230V - 50Hz

Area of Application:

Home Use - exclusively for private use!

Disposal



European Disposal Regulations 2002/96/EG

Do not dispose your training device in the normal household rubbish. Dispose the device at a communal waste disposal facility or at a registered waste disposal company. Observe current regulations which apply accordingly. If in doubt seek advice from your local government office or county council as to where you can dispose of the device properly and in an environmentally sound manner.

Batteries / Rechargeable Batteries

Batteries and rechargeable batteries should never be disposed of in the household rubbish. Please be aware that all batteries can contain toxic substances and all consumers are obliged by law to dispose these at an appropriate collection point either at your local government office, county council or retail outlet. If in doubt seek advice from your local government office or county council as to where you can dispose batteries properly and in an environmentally sound manner. Only dispose of batteries when they are empty.

Recommended Accessories

These accessories are best suited for use with your training device. All products are available from our online shop at www.maxxus.de or direct from our showroom.

POLAR® Transmitter Chest Belt T34

Chest belt with optimised transmission range for determining heart rates. This accessory is required to use the pulse-controlled programs and for continual determination of current heart rate.

MAXXUS® Floor Protection Mat

Due to its extreme density and material thickness this mat provides perfect protection for floors and floor coverings against damaging, scratches and soiling through body sweat. Noise caused by running and movement is significantly reduced.

Available in the following sizes:

- 160 x 90 cm
- 210 x 100 cm - suitable for treadmills

MAXXUS® Silicone

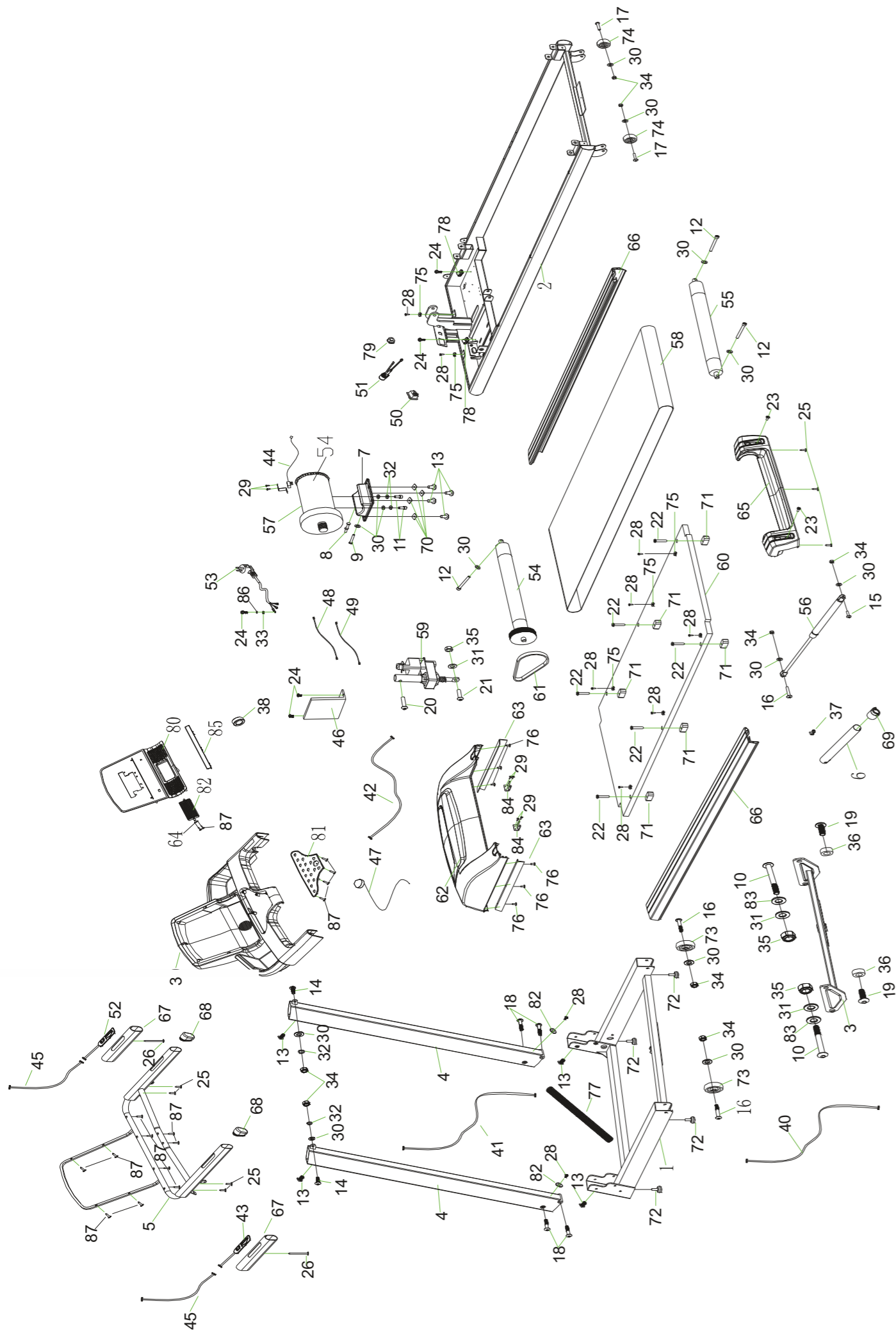
Optimum lubricant and separating agent for treadmill belts and decks.

Available in the following sizes:

- 50 ml
- 250 ml



Explosion Drawing



Parts List

1	Baseframe	1	41	Communicationwire(L-1200mm)	1
2	Platformframe	1	42	Communicationwire(L-700mm)	1
3	Inclineframe	1	43	Handlepulse(incline)	1
4	Uprightpost	2	44	SpeedsensorL-300	1
5	Consoleframe	1	45	Handlepulseset	2
6	Ezfitlinkingparts	1	46	Controller	1
7	Motorbase frame	1	47	Safetykey	1
8	Boltwelding	1	48	Powercord	1
9	Hex full thread screw M8×75	1	49	Powercord	1
10	Allen C.K.S. half thread screw M10×80×40	2	50	Switch	1
11	Allen socket full threadscrew M8×15	2	51	Fuse(withwire)	1
12	Allen socket full threadscrew M8×75	3	52	Handlepulse(speed)	1
13	Allen C.K.S. full threadscrew M8×15	8	53	Powercord	1
14	Allen socket full threadscrew M8×25	2	54	Frontroller	1
15	Allen C.K.S. half threadscrew M8*30*20	1	55	Rearroller	1
16	Allen C.K.S. half threadscrew M8*50*20	3	56	Cylinder	1
17	Allen C.K.S. half threadscrew M8*40*20	2	57	Motor	1
18	Allen C.K.S. half threadscrew M8*50*20	4	58	Runningbelt	1
19	Allen C.K.S. full threadscrew M10×25	2	59	Inclinemotor	1
20	Allen C.K.S. half threadscrew M10*45*20	1	60	Runningdeck	1
21	Allen C.K.S. half threadscrew M10*35*20	1	61	Motorbelt	1
22	Allen self-tappingscrew M6×50×Φ16	6	62	Motorcover	1
23	Philips C.K.S. full thread screw M5×10	6	63	Cover spacingpieceframe	2
24	Philips C.K.S. full thread screw M4×10	7	64	Arch clamp	2
25	Philips C.K.S. self-tappingscrew ST4×16	19	65	Rearcover	1
26	Philips C.K.S. self-tappingscrew ST4×50	2	66	Side rail	2
27	Philips self-tappingscrew ST3×25	4	67	Foamgrip	2
28	Philips self-tappingscrew ST4×15	6	68	Ellipse end cap	2
29	Philips self-tappingscrew ST3×10	6	69	End cap	1
30	Flat washer Φ8	15	70	Square cushion	4
31	Flat washer Φ10	3	71	Square cushion	6
32	Spring Washer	4	72	Feet pad	4
33	Lock washer Φ5	3	73	Wheel	2
34	Hex self-locking nut M8	8	74	Wheel	2
35	Hex self-locking nut M10	3	75	Side rail guider	8
36	Powder metallurgy set Φ17×Φ10×7	2	76	Philips self-tappingscrew ST5.5*15	6
37	Spring	1	77	Wire protector	1
38	Magnetic Ring	1	78	Binder	2
39	Console housing	1	79	Power cord buckle	1
40	Communication wire(L-800mm)	1	80	PCB board	1

Parts List

81	Keyboard	1
82	Outlet	1
83	Plasticflat washer	2
84	Cover spacingpiece	2
85	IPAD pallets	1
86	Springwasher	3
87	Philips C.K.S. full threadscrew ST4×12	13

Warranty*

For MAXXUS® Support Team to help you as quickly as possible with service, we will require certain information about your fitness device and from you. To find the exact spare parts required, we will need the product name, date of purchase and serial number.

If necessary, please fill out completely the Repairs Contract/Damage Report formula attached in this User Manual and send it to us per post or per fax.

Areas of Application & Warranty Periods

Depending on the model, fitness devices from MAXXUS® are suitable for use in different areas. Find the appropriate area of use for your fitness device from the "Technical Data" in this User Manual. Home Use:

Exclusively for private use

Warranty Period: 2 Years

Semi-Professional Use:

Use under instruction in hotels, physiotherapy practices, etc.

Use in a fitness studio or similar establishment is hereby excluded!

Warranty Period: 1 Year

Professional Use:

Use in a fitness studio or similar establishment under supervision by trained personnel.

Warranty Period: 1 Year

Use of your training device in an area which is not suitable for your device will cause immediate expiry of its guarantee and cancel your right to claim warranty!

Sole private use and warranty period of 2 years assumes that the purchase invoice is made out to the end user.

Proof of Purchase and Serial Number

To claim your right to service works within the warranty period we will in each case require proof of purchase. Keep your proof or purchase or purchase invoice in a safe place and in warranty cases, send us a copy without further request together with your Repairs Contract/Damage Notification. This will ensure that we can process the service work as quickly as possible. So that we can identify which model version requires to be serviced correctly, we will require; Product Name, Serial Number and Date of Purchase.

Terms and Conditions of Warranty:

The warranty period for your training device starts on the date of purchase and applies solely to products which were purchased directly from the MAXXUS Group GmbH & Co KG or one of the MAXXUS Group GmbH & Co KG direct and authorised distribution partners.

The warranty covers defects caused by production or material faults and only apply to devices purchased in Germany. The warranty does not apply to damages or defects caused by culpable improper use, negligent or purposeful destruction, lack or failure to carry out maintenance and/or cleaning measures, force majeure, operational causes and so normal wear and tear, damages caused by penetration of liquids, damage caused by repairs or modifications made with spare parts from a different supplier. The warranty also does not apply for damages due to faulty assembly or damages which occur because of faulty assembly. Certain component parts will wear and tear during use or from normal wear and tear. This includes for example:

- Ball bearings ▪ Bearing bushings ▪ Bearings ▪ Drive belts
- Switches and push-buttons ▪ Treadmill belts (bands) ▪ Treadmill decks (running deck) ▪ Rollers

Signs of wear and tear on wearing parts are not items covered under the warranty.

If your training device requires to be collected from you, you will be required to dismantle and make available the device and receive and re-assemble the device yourself. These works are not in any way covered by the warranty. Prior to sending any component parts to our service address, please contact the service department and ensure the parts are well packed.

Service Outside the Warranty and Ordering Spare Parts

The MAXXUS® Service Team is happy to be of assistance to help solve any problems with faults which may arise following expiry of the warranty period, or in cases of defects arising which are not covered by the warranty.

In this case please contact us per email direct to: customerservice@maxxus.de

Orders for Spare Parts or Worn Parts should be sent along with information on the Product Name, spare part description and number and the quantity required to: spareparts@maxxus.de

Please be informed that additional fixing materials such as screws, bolts, washers etc are not including in the scope of delivery for individual spare parts. These should be ordered separately.

*Version: June/2016



Device Details

Product Name: **MAXXUS 4.2i** Product Group: Treadmill
 Series Number: _____ Invoice Number: _____
 Date of Purchase: _____ Where Purchased: _____
 Accessories: _____

Type of Use:

Private Use Commercial Use

Personal Details

Company: _____ Contact Person: _____
 First Name: _____ Second Name: _____
 Street: _____ House Number: _____
 Post Code: _____ Town/City: _____
 Country: _____ Tel.No.: _____
 E-Mail: _____ Mobile No.*: _____
 Fax. No.*: _____

*These details are optional; all other details are obligatory and must be filled-in.

Description of Fault

Please give a short and as accurate as possible description of the fault:
 (eg. When, where and in what way did the fault occur. Regularity, and for what length of time, and in what form of use, etc ...)

- A copy of proof of purchase / invoice / receipt is attached.
- I acknowledge the General Business Terms and Conditions of MAXXUS® Group GmbH & Co. KG.

I hereby instruct the company MAXXUS® Group GmbH & Co. KG to repair the above-mentioned fault.
 In Warranty cases I will not be charged for the costs. The costs for repairs which are excluded from liability for defects in quality will be charged to me and must be settled immediately. In cases of repairs carried out on site, our staff are entitled to collect payment. This agreement is confirmed with here with my signature.

_____ Date

_____ Location

_____ Signature

Please be aware that contracts can only be processed if this form has been completed in full. Be sure to attach a copy of your purchase invoice. Send the fully completed Repairs Contract / Notification of Damage Claim to:

Post*: Maxxus Group GmbH & Co KG, Service Department, Zeppelinstr. 2, 64331 Weiterstadt

Fax: +49 (0) 6151 39735 400

E-Mail:** customerservice@maxxus.de

* Please stamp with sufficient postage - letters which are not sent postage paid will unfortunately not be accepted.

** Submission per E-Mail is only possible as a scanned document with original signature.



MAXXUS[®]



Maxxus Group GmbH & Co. KG
Zeppelinstr. 2
D-64331 Weiterstadt
Germany
E-Mail: info@maxxus.de
www.maxxus.de